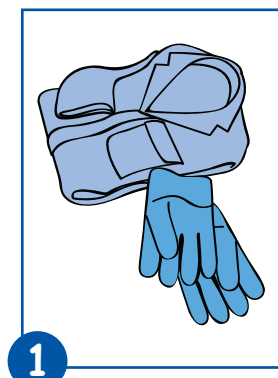


JANGRO Product Guide



High Traffic Floor Polish 21% Solids BD020-5



1

Put on PPE.



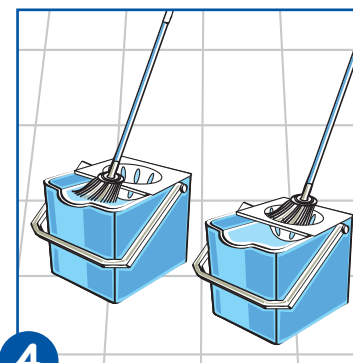
2

Place safety signs.



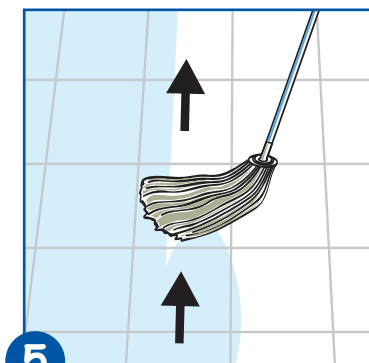
3

Pour polish into bucket or tray. (undiluted).



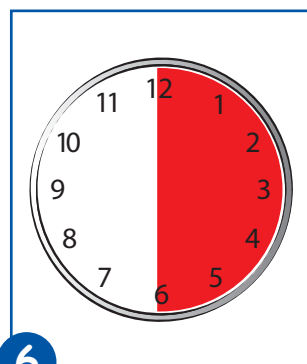
4

Place mop or applicator into polish. Lightly squeeze out surplus.



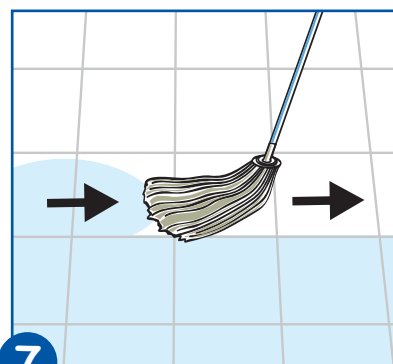
5

Apply polish to dry floor thinly and evenly.



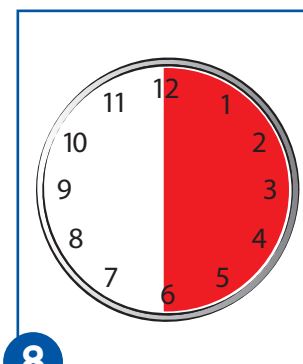
6

Leave to dry for 30 minutes.



7

Apply a further coat of polish leaving 100cm gap from skirting board.



8

Leave to dry for 30 minutes.



9

Remove safety signs.



For best results, maintain with Jangro Perfumed Floor Maintainer. BD030-5.

Health & Safety
Please refer to relevant
COSHH Sheet.