

ORIGINAL INSTRUCTIONS

CAUTION – READ THESE INSTRUCTIONS BEFORE USING
THE MACHINE

Orbis UHS 1500

Rotary Floor Burnishing Machine

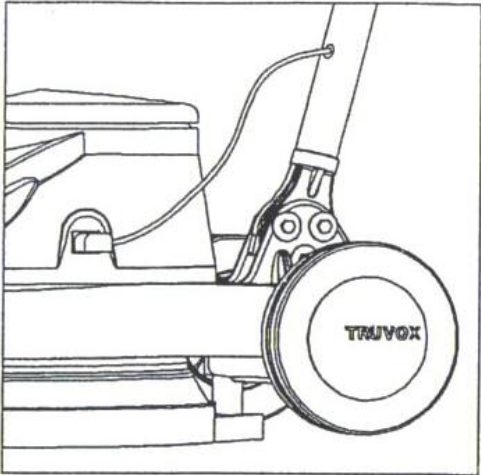


USER MANUAL EN

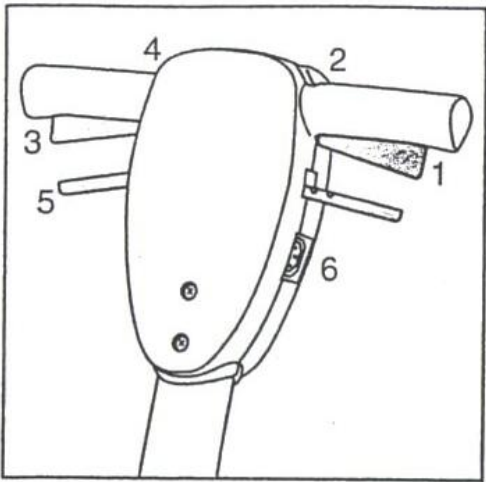
BEDIENUNGSANLEITUNG DE

MANUEL D'UTILISATION FR

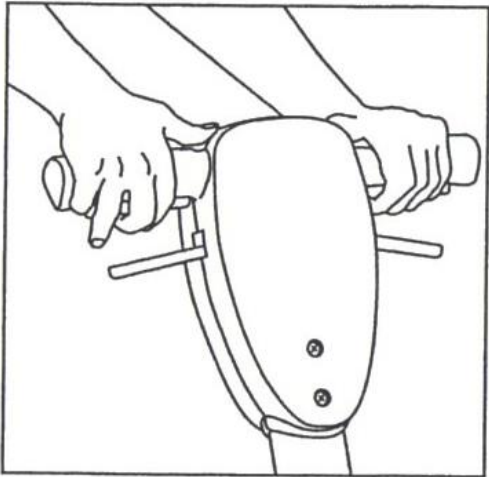
Diagrams



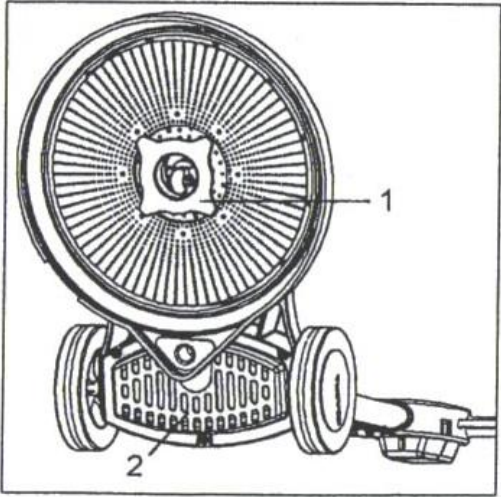
1



2



3



4

**IMPORTANT
BEFORE USE READ THESE INSTRUCTIONS AND RETAIN FOR FUTURE REFERENCE**

INTRODUCTION

The following instructions contain important information about the machine and safety advice for the operator. Equipment must be operated, serviced and maintained in accordance with the manufacturer's instructions. If in doubt contact the supplier of your machine.



Read all instructions before using the machine

PRODUCT INFORMATION

These commercial floor treatment machines are designed for the high speed polishing and burnishing of hard floors in indoor areas. A passive dust control system is supplied as standard with each model. This machine is for indoor use only. The machine is intended for commercial use, for example in hotels, schools, hospitals, factories, shops, offices, rental businesses and other than normal housekeeping purposes.

EC Declaration of Conformity

Machine Type: Rotary Floor Burnishing Machine
Model: OB431500..., OB501500...,

This machine is in conformity with the following EU directives:

- Machinery Directive 2006/42/EC
- The EMC Directive 2014/30/EU

Applied harmonised standards:

EN60335-1, EN60335-2-67, EN55014-1, EN55014-2, EN62233, EN61000-3-2, EN61000-3-3

Truvox International Limited
Unit C (East), Hamilton Business Park,
Manaton Way, Botley Road,
Hedge End, Southampton,
SO30 2JR, UK

Malcolm Eneas
Operations Manager
Southampton, 01/11/2018

TECHNICAL SPECIFICATIONS

Model		Orbis UHS 1500 (43cm)	Orbis UHS 1500 (50cm)
Product Code		OB431500	OB501500
Voltage AC (~)/ Frequency	V/Hz	230/50	230/50
Motor Power	W	1100	1100
Capacity	litres	1	1
Productivity Rate	m ² /h	860	1000
Pad / brush speed	rpm	1500	1500
Pad / brush pressure	g/cm ²	5.5	4
Pad / brush diameter	cm	43	50
Sound pressure level	dB(A)	65.7	65.7
Sound pressure level (with vacuum)	dB(A)	69	69
Dimensions (L x W x H) with handle	cm	65 x 47 x 125	72 x 55 x 125
Weight	kg	34	34.5
Cable length	m	15	15
Warranty		2 years subject to conditions	

- Handle vibration does not exceed 2.5 m/s² when operating on a smooth hard surface.
- Noise levels measured at a distance of 1 metre from machine and 1.6 metres above floor, when washing a hard floor. Measurements recorded using a hand held meter.
- Above dimensions are approx. Since the company's policy is to continuously improve the product, there could be changes without prior notice.

WASTE ELECTRICAL & ELECTRONIC EQUIPMENT (WEEE)



Do not dispose of this device with unsorted waste. Improper disposal may be harmful to the environment and human health. Please refer to your local waste authority for information on return and collection systems in your area.

IMPORTANT SAFETY ADVICE

The safety information described in this manual provides basic precautions and supplements standards in force in the country where the machine is used.



This symbol warns the operator of hazards and unsafe practices which could result in severe personal injury or death.



WARNING – to reduce the risk of injury, electric shock or fire.

1. This machine must only be used for the manufacturer's approved application as described in this manual.

2. The machine must be unpacked and assembled in accordance with these instructions before connecting to the electrical supply.
3. Only genuine accessories and spare parts provided with the machine or those approved by the manufacturer should be used. The use of other accessories may impair the safety of the machine. All repairs must be performed by a qualified service agent.
4. **DO NOT** modify the machine from its original design.
5. Operators must be fully trained in the use of the machine in accordance with these instructions, able to perform regular user maintenance and the correct selection of accessories.
6. Operators should be physically capable to manoeuvre, transport and operate the machines.
7. Operators should be able to recognise unusual operation of the machine and report any problems.
8. This machine is not intended for use by persons (including children) with reduced physical, sensory or mental capabilities, or lack of experience and knowledge, unless they have been given supervision or instruction concerning use of the machine by a person responsible for their safety.
9. Keep children and unauthorised persons away from the machine when in use. **DO NOT** use as a toy.
10. **DO NOT** use if it has been damaged, left outdoors or dropped in water.
11. **DO NOT** use where hazardous dust is present.
12. **DO NOT** use in an explosive atmosphere.
13. **DO NOT** pick up or use near flammable or combustible fluids, hazardous dusts or vapours.
14. **CAUTION** - If it is suspected that there is hazardous dust or flammable/corrosive material, stop cleaning the area immediately and consult your superior.
15. **DO NOT** use to clean up any burning or lighted materials such as cigarettes, matches, ashes or other combustible objects.
16. Only use the machine on firm level surfaces. **DO NOT** use on a gradient or slope of more than 2%.
17. **DO NOT** use on rough uneven surfaces e.g. industrial or coarse concrete surfaces.
18. **DO NOT** use outdoors e.g. on patios, decks or rough surfaces.
19. **CAUTION** - This machine is for dry indoor use only and should not be used or stored outdoors in wet conditions.
20. Take care when using a machine near the top of stairs to avoid overbalancing.
21. **DO NOT** cover the machine when in use.
22. Let the machine do the work. Grip the handle as lightly as possible.
23. Stand with feet slightly apart to maintain good balance. Avoid twisting the body more than 45 degrees.
24. Normal movement of the machine is in a forward and backward direction.
25. Keep hair, loose clothing, hands, feet and all other parts of the body away from openings and moving parts.
26. **DO NOT** put any object into openings. **DO NOT** use with any opening blocked; keep free of dust, debris and anything that may reduce airflow.
27. **DO NOT** use volatile or combustible solvents (e.g. diesel/petrol/IPA/trichloromethane) nor any corrosive, toxic or highly irritant substances to wash floors, even if diluted. In the event of accidental contact with any such

substances(e.g. due to spills) follow the decontamination procedures in force at the user site.If in any doubt about the condition of the machine, contact Truvox or the dealer/agent who supplied the machine.

28. **DO NOT** operate the machine if it malfunctions or is damaged in any way. Contact an authorised service agent for repair or adjustments.
29. **DO NOT** leave the machine connected to the electricity supply when not in use, always remove the plug from the socket-outlet.

ELECTRICAL HAZARD



30. **DO NOT** operate the machine with a damaged power cord or plug, or after the machine malfunctions or is damaged in any way. Contact an authorised Service Agent for repair or adjustment.
31. The machine must be kept clean and in good condition with regular inspections of the power cord and plug for signs of any damage. If any parts are damaged they shall only be replaced by an approved part by the manufacturer, its service agent or a similar qualified person in order to avoid a hazard.
32. Only replace the power cord with the type specified in the instruction manual.
33. When unplugging, pull the plug, not the power cord.
34. **WARNING:** Keep the power cord clear of moving parts.
35. **DO NOT** kink or twist the power cord and keep cord away from heated surfaces.
36. The power cord plus any extension leads should not exceed 30 metres in total. The cross section of an extension cable wiring must be at least 2.5mm².
37. **DO NOT** pull or carry by the power cord. **DO NOT** use cord as a handle, close door on cord or pull cord around sharp edges or corners.
38. Switch off the machine before removing the plug.
39. **DO NOT** operate switches or touch the mains plug with wet hands as this may cause electric shock.
40. This machine should always be connected to a fully earthed power supply of the right voltage and frequency.
41. The machine shall be disconnected from its power source when not in use and before commencing cleaning of the machine or maintenance and when replacing parts or accessories, by removing the plug from the socket-outlet.

CLEANING AGENTS

1. When using cleaning and care agents, the manufacturer's danger warnings must be followed and protective goggles and clothing must be worn.
2. Only use low-foaming, non-combustible cleaning agents which **DO NOT** contain generally health-hazardous substances.
3. Please ensure that after each use any chemical residue is rinsed out with clean water.

TRANSPORTING THE MACHINE

- Take extreme care when moving the machine up or down steps or stairs.

- Incorrect lifting techniques may result in personal injury. We advise that the manual handling regulations are followed. Carefully wrap the power cord and store in dry indoor location.
- **DO NOT** expose the machine to rain or moisture.
- When moving the machine, the handle should be locked and the machine tilted back on its wheels.

STORAGE

- Always switch off the machine after use.
- Store the machine in a dry indoor area only.
- Wrap the power cord around the handlebar ensuring that the plug is not trailing on the floor.
- Never store the machine with a pad fitted as this causes distortion, and results in instability during operation.
- Always switch off, empty, wipe down and dry the machine after use.

MAINTENANCE



WARNING - Before undertaking maintenance operations or adjustments switch off machine and unplug from the electricity supply.

IMPORTANT – All other servicing and repairs should only be performed by a Truvox engineer or Authorised Service Agent.

IMPORTANT – Should the machine fail to operate please refer to the fault diagnosis section in the back of this instruction manual. If the problem / remedy is not listed please contact Truvox Customer Service Department for rapid attention.

The machine requires minimum maintenance apart from the following checks by the operator prior to use:

- Body of the machine - Clean with a damp cloth.
- Power cord - Regularly inspect sheath, plug and cord anchorage for damage or loose connection. Only replace the power cord with the type specified in these instructions.
- Passive vacuum unit – All dust bags must be changed regularly and hose checked for blockage to avoid unsatisfactory results.
- Check the switch interlock for correct operation.
- Motor overload cut-out - All machines are fitted with an automatic reset motor overload cut-out. The cut-out will operate to protect the motor from overheating by switching the machine off when there is excessive friction/resistance to the cleaning head on the floor. This is usually caused by the stickiness of the pad or floor. Turn the cleaning pad over or if both sides are dirty replace with a clean pad. It is not possible to obtain a good finish on the floor using a dirty pad. Should the cut-out operate it will reset automatically when the motor has cooled sufficiently, usually after 15 - 30 mins.
- Drive boards, pads and brushes - Inspect for wear and replace worn brushes. Clean under running water.

AFTER SALES SERVICE

Truvox machines are high quality machines that have been tested for safety by authorised technicians. It is always apparent that after longer working periods, electrical and mechanical components will show signs of wear and tear or ageing. To maintain operational safety and reliability the following service

interval has been defined: Every year or after 250 hours. Under extreme or specialised conditions and/or insufficient maintenance, shorter maintenance intervals are necessary. Use only original Truvox spare parts. Use of other spare parts will invalidate all warranty and liability claims. Should you require after sales service please contact the supplier from whom you purchased the machine, who will arrange service. Repairs and servicing of Truvox products should only be performed by trained staff. Improper repairs can cause considerable danger to the user.

GUARANTEE

Your product is guaranteed for two years from the date of original purchase, or hire purchase, against defects in materials or workmanship during manufacture. Within the guarantee period we undertake at our discretion, to repair or replace free of charge to the purchaser, any part found to be defective, subject to the following conditions:

CONDITIONS

1. Claims made under the terms of the guarantee must be supported by the original invoice/bill of sale issued at the time of sale, or the machine Serial No.
2. For claims under this guarantee contact the supplier from whom you purchased the product who will arrange the appropriate action. Do not initially return the product as this could result in transit damage.
3. Neither Truvox nor its distributor shall be liable for any incidental or consequential loss.
4. This guarantee is governed by the laws of England.
5. This guarantee does not cover any of the following:
 - Periodic maintenance, and repair or replacement of parts due to normal wear and tear.
 - Damage caused by accident, misuse or neglect, or the fitting of other than genuine Truvox parts.
 - Defects in other than genuine Truvox parts, or repairs, modifications or adjustments performed by other than a Truvox service engineer or authorised service agent.
 - Costs and risks of transport relating directly or indirectly to the guarantee of this product.
 - Consumable items such as belts, brushes, drive discs, filters and vacuum skirts.

This guarantee does not affect your statutory rights, or your rights against the supplier arising from their sales or purchase contract. Truvox International Limited policy is one of continual product development and we reserve the right to alter specifications without prior notice.

3 Preparing for use

3.1 Fitting the handle

1. Carefully remove the machine base and handle from their respective packaging.
2. Check that the following items are present with the base:-
 - Vacuum skirt
 - Dust bag
 - M8 x 70 Bolt (3)
 - Nyloc Hex. nut (3)
 - Plain washer (6)
 - Spanner (2)
3. Take handle and remove tie from the knuckle pivot, ensuring that toothed gear does not fall out of housing when tie is removed.
4. With the handle held vertically and cable winder to the rear, lower pivot between the raised flanges on the machine base.
5. Align holes in pivot with those on the base and fit the three M8 bolts, washers and nuts, and tighten using the spanner and Allen key supplied (Fig.1).
6. Connect supply lead from handle to socket on side of motor housing.

4 Controls

The operating controls for all models are located on the handle (Fig 2).

1 - Switch trigger, left hand

Used to switch motor ON and OFF. Can only be operated with handle in working position, and if left hand interlock button (2) has previously been depressed

2 - Interlock button, left hand

This must be depressed initially to enable left hand switch trigger to switch motor on.

3 - Switch trigger, right hand

Used to switch motor ON and OFF. Can only be operated with handle in working position, and if right hand interlock button (4) has previously been depressed.

4 - Interlock button, right hand

This must be depressed initially to enable right hand switch trigger to switch motor on.

5 - Handle adjustment lever

Used to adjust handle to comfortable working height. **Note:** For safety reasons the machine cannot be operated unless the handle is moved to a working height.

Cable winder

Used to hold supply cord in place on handle when machine is not in use.

Neon indicator (on handle)

- Lights when the machine is connected to the power supply.

5 Fitting pads



WARNING - This appliance has been designed for use with the pads specified by the manufacturer. The fitting of other pads may affect its performance and safety.

Always ensure machine is unplugged before fitting or removing parts.

- Raise cleaning head by pulling handle backwards to rest on the floor.
- Unscrew central pad lock and remove with washer.
- Press cleaning pad onto drive disc, refit washer and pad lock and tighten (Fig 4).
- Return machine to upright position.
- **IMPORTANT - Never allow the cleaning head to rest on the pad when not in use.**

6 Adjusting the handle height

Select the most comfortable handle height using the adjustment lever as previously described (see **Controls**) and lock in position.

7 Operation

7.1 Starting the machine

- Fully unwind the supply cord from the handle and plug in to a convenient socket outlet. The neon indicator on the handle should light showing that power is available.
- With the handle set at a convenient working height and with both left and right hands on the handle, depress both interlock buttons with the thumbs and squeeze both switch triggers to start the machine (Fig 3).
- **WARNING - Never start the machine without pads fitted.**
- Once the machine has started the push buttons should be released. The machine will operate with either or both of the switch triggers held.
- To stop the machine release both switch triggers.
- Normal movement of the machine is in a **forward and backward** direction.

7.2 Polishing

- Fit pads suitable for the speed of the machine and the surface to be polished.
- Apply polish to the floor in accordance with the manufacturers instructions.
- **Do not keep the machine rotating on one spot for more than 5-10 seconds, as this could cause overheating and damage the floor surface.**

RECOMMENDED SPARES & ACCESSORIES

	OB431500	OB501500
Vacuum skirt	05-3766-0500	05-3767-0500
Dust control cloth bag	03-6703-0000	
Dust control collection box	03-6685-0057	
Spray system kit	05-4156-0000	
Furniture guard	03-6111-0000	03-6728-0000

FAULT DIAGNOSIS

The following simple checks may be performed by the operator. If the machine is still not working, please contact your local Service Agent:

Trouble	Reason	Remedy
Machine not working, neon indicator not lit	<ul style="list-style-type: none"> Lack of voltage/electrical supply 	<ul style="list-style-type: none"> Check fuse *, power cord, plug and socket outlet
Machine not working, neon indicator lit	<ul style="list-style-type: none"> Switch interlock incorrectly operated 	<ul style="list-style-type: none"> Check operating procedures shown in pictorial user guide
	<ul style="list-style-type: none"> Overload cut-out operated 	<ul style="list-style-type: none"> Check brush/pad for wear and replace if required Check correct liquid type and quantity Wait 30 minutes to allow the motor temperature to reach room temperature. Then try again.
	<ul style="list-style-type: none"> Droplead not connected to base 	<ul style="list-style-type: none"> Connect droplead to base
Machine wobbles or vibrates excessively	<ul style="list-style-type: none"> Pad worn or damaged 	<ul style="list-style-type: none"> Replace pad
	<ul style="list-style-type: none"> Dirty pad 	<ul style="list-style-type: none"> Clean the pad
	<ul style="list-style-type: none"> Loose pad 	<ul style="list-style-type: none"> Tighten pad locking device
	<ul style="list-style-type: none"> Pad is off centre 	<ul style="list-style-type: none"> Reposition pad

* If the fuse blows several times, the machine should be checked by an authorised Service Agent.

PLEASE REFER TO THE BACK OF THE MANUAL FOR PICTORIAL INSTRUCTIONS