

i-mop[®] XXL Pro

Auto scrubber for floor surfaces

User manual



i-team Professional b.v.

Hoppenkuil 27b, 5626 DD Eindhoven, The Netherlands

Telephone: +31402662400

Email: hello@i-teamglobal.com

Internet: www.i-teamglobal.com





FASTER:

Cleans 10 times faster than conventional wet mopping, backed-up by cleaning capacity of up to 1800 m² per hour.



CLEANER:

Powerful twin counter-rotating 350 RPM brushes for soil removal validated by ATP test data, reflecting up to 90% cleaner surfaces.



GREENER:

Makes every ounce of chemical and every drop of water count. Proven to reduce environmental impact by over 75%.



SAFER:

Floors that dry almost instantly reduce slip and fall hazards, validated by standardized slip test readings of 120 or less. The anti-microbial tanks on the i-mop[®] reduces the odors coming from the recovery tank and protects operators who handle the tanks every day. Microbial reduction in contact with the tank wall has been certified and tested at $\geq 99.99\%$ efficacy.



BETTER FOR EVERYONE:

Changes the experience of cleaning, and brings energy, pride and positive morale to the facility... not to mention a cleaner and healthier environment.

Original user manual, written in the English Language

Future Cleaning Technologies B.V.

Hoppenkuil 27b, 5626 DD Eindhoven, The Netherlands

Telephone: +31402662400

Email: hello@i-teamglobal.com

Internet: www.i-teamglobal.com

Model: i-mop[®] XXL Pro

Date: 31-03-2023

Product code:

Version: 4.8_v2

Model year: 2023



Preface

Thank you for choosing the i-mop[®] XXL Pro, the industrial auto scrubber that cleans faster, cleaner, safer, greener, and is better for everyone. The i-mop XXL Pro's compact design allows you to clean right to the edge and under obstacles, minimizing manual scrubbing. The battery operated i-mop XXL Pro is equipped with two counter-rotating brushes that provide a deep scrub and a great cleaning result. The i-mop XXL Pro significantly reduces the amount of water and chemicals needed which leads to a greener result. It also reduces the risk of slippery floors. The i-mop XXL Pro is coated to withstand abrasive chemicals, this means it can be used at facilities like swimming pools and beach areas.

Anti-microbial material

All the touch-points (knobs, handles, triggers, tanks) on the i-mop XXL-Pro have been treated in such a way that they are anti-microbial. Because the anti-microbial compound is mixed into the plastic, the effect lasts the lifetime of the i-mop XXL-Pro.

The reduction of bacteria reduces odours coming from the recovery tank and protects operators who handle the tank every day. Microbial reduction in contact with the tank wall is certified and tested at $\geq 99.99\%$ efficacy.

i-dose[®]

With i-dose we introduce pods that contain a super concentrated, eco-friendly, cleaning formula for the i-mop. Just pop the pod and wait for the liquid to drop in the water. Every pod contains exactly enough detergent for one i-dose solution tank. The i-mop comes with a standard i-dose pod holder and recycle bin for empty pods.

Lift kit

Sometimes detergents or disinfectants need some dwell time when you're cleaning the floor. And now you can easily give them that time. The lift kit makes it possible to lift the squeegee up with the flick of a switch.

i-balance system

The i-mop XXL Pro is equipped with the revolutionary i-balance system. This system allows to park the main body of the i-mop XXL Pro in any position.

The i-balance system allows you to park the i-mop in a standing position for 10 minutes without lifting the deck.

i-link[®]

You can connect your cleaning equipment to i-link, the cloud-based management system. The i-mop XXL Pro has a small integrated transmitter, already connected to the i-link cloud. This transmitter will send usage information, battery levels, and even the location of the machine to the i-link cloud every day. It's also possible to set rules for notifications (e.g. reminders for maintenance after X hours of use) and to troubleshoot an issue with the machine to your i-partner.



Please read this manual carefully for important information and operating instructions before using the i-mop® XXL Pro. Save this manual for future reference. This i-mop XXL Pro will provide excellent performance. The best results are obtained when the i-mop XXL Pro is:

- Regularly maintained per the i-mop XXL Pro preventive maintenance instructions in this manual.
- Operated with reasonable care and caution.
- Maintained with manufacturer-supplied parts.

When this manual refers to “the manufacturer”, this means **Future Cleaning Technologies B.V.**, an affiliate company of i-team in Eindhoven, the Netherlands. When this manual mentions “the partner”, this refers to your local i-team resell and support service partner.

Purpose of the user manual

The purpose of the user manual is to provide the user with information in such a way that during the life of the i-mop XXL Pro, the machine is used correctly, efficiently and safely, even in the event of reasonably foreseeable misuse, as described in section 1.2 of this manual.

The user manual contains instructions regarding:

- Personal operator safety
- Intended and non-intended use of the i-mop XXL Pro
- Instructions for daily use
- Maintenance instructions
- Storage conditions
- Disposal of the i-mop XXL Pro

These instructions must be considered to avoid risks that could lead to physical and/or material damage.

Target audience

This user manual is intended for operators of the i-mop XXL Pro and their supervisors, as well as partners and importers.









Operators of the i-mop XXL Pro

The i-mop XXL Pro may only be operated by a person who has correctly read and understood the instructions in this manual or is trained by an experienced operator who has read and understood the instructions in this manual.

Reading guide

The following symbols and terms are used throughout this manual to alert the reader to safety issues and important information:



Symbol	Term	Explanation
	WARNING	Indicates a hazardous situation which, if the safety instructions are not followed, can lead to injuries of the operator or bystanders and light or moderate damage to the product or the environment.
	CAUTION	Indicates a hazardous situation which, if the safety instructions are not followed, can lead to light and / or moderate damage to the product or the environment.
	ATTENTION	Indicates a liability situation, where the manufacturer or its partners and affiliates cannot be held accountable for damages caused by non-compliance.
	STRONG MAGNET	Indicates that the machine contains strong magnets. These can cause pacemakers to stop working or cause electronic data to be damaged, such as information stored on access passes.
	PACEMAKER	Indicates that operators and maintenance crew wearing pacemakers should keep a minimal distance of 6 in / 15 cm. In this specific case operators may not use the machine as a backpack.
	BATTERIES	Indicates a battery-operated machine, batteries must be charged according to the instructions in the separate class I battery charger user manual. Batteries must be disposed of according to your local laws and regulations.
	SLIPPERY SURFACE	Indicates that the machine can cause floors to become slippery. In the workplace, it is advised to place slippery surface signs in these areas.
	WEARING GLOVES	Indicates that when carrying out this task, rubber gloves should be worn.



Content

Preface	3
Purpose of the user manual.....	4
Target audience.....	4
Operators of the i-mop XXL Pro	4
Reading guide	4
1 Introduction	9
1.1 Intended use of the product	9
1.2 Non-intended use of the product.....	10
1.3 Lifespan	10
1.4 Modifications	10
1.5 Brushless motor	11
1.6 Specifications	11
1.7 Warranty.....	12
1.8 Identification	12
1.9 QR-code	12
2 Description	13
3 Safety.....	14
3.1 General safety instructions	14
3.1.1 Sweep before scrub	14
3.1.2 Brush condition	14
3.1.3 Machine orientation.....	14
3.1.4 Anti-microbial tanks.....	14
3.1.5 Strong magnets	14
3.1.6 Batteries.....	14
3.2 Risks during operation.....	15
3.2.1 Dress safely.....	15
3.2.2 Mark the job site	15
3.2.3 Careful when parking	15
3.2.4 Remove battery packs.....	15
3.2.5 Machine orientation.....	15
3.2.6 Careful when storing	15
4 Transport and storage	16
4.1 General	16
4.2 Store position	16
4.3 Transport outside	17
4.4 Transport in a vehicle.....	18
5 Assembly and installation.....	19
5.1 Unboxing.....	19



5.2	Assembly	20
5.2.1	Charging the batteries.....	20
5.2.2	Attaching the brushes	20
5.2.3	Attaching the squeegee.....	21
5.2.4	Installing the recovery tank	21
5.2.5	Installing the cleaning solution tank	22
5.2.6	Attaching the cellphone holder and recycle bin	22
5.2.7	Using the USB port.....	23
6	Operation	24
6.1	Before you start.....	24
6.1.1	The i-power 9 & 14 Pro battery	24
6.1.2	Serial plate <i>Demosticker</i>	24
6.1.3	Inserting the batteries.....	24
6.1.4	Filling the cleaning solution tank	25
6.2	Operation procedure	26
6.2.1	Walking to the job site	26
6.2.2	At the job site.....	27
6.2.3	i-balance system	29
6.2.4	Parking position	30
6.2.5	Easy lift kit.....	32
6.2.6	ECO mode	32
6.2.7	Angle warning indicator	33
6.2.8	Turning off the i-mop® XL pro.....	34
6.2.9	Emptying tanks.....	34
6.3	Cleaning and storage.....	34
6.3.1	Flushing the system	34
6.3.2	Cleaning the tanks	34
6.3.3	Cleaning the filter.....	35
6.3.4	Removing battery packs	37
6.3.5	Checking the brushes and squeegee	37
6.3.6	Store in an upright position	38
7	Maintenance	39
7.1	Brush replacement.....	39
7.2	Squeegee replacement	40
7.2.1	Detaching the squeegee.....	40
7.2.2	Flipping/replacing the squeegee blade	40
7.2.3	Attaching the squeegee.....	42
7.3	Replacing the vacuum hose	42
7.4	Replacing the wheels	43
7.5	Replacing the splash guards	43
7.6	Recommended additional cleaning.....	44
7.7	Recommended service time	44
7.8	Accessories	44
8	Troubleshooting.....	45



8.1	Report problem via i-link®	46
9	Decommissioning and disposal	47
10	Attachments	48
10.1	CE Certificate.....	48
10.2	The i-Story.....	49



1 Introduction

The i-mop® XXL Pro is a safe, user-friendly machine. This manual helps you to get started and explains the operation and maintenance procedure. You will be pleasantly surprised by the fast and effective use of the battery operated i-mop XXL Pro. The batteries used in the i-mop XXL Pro are the same as the ones in a variety of battery powered i-team products. The batteries must be fully charged before use. Please see the user manual of the class I battery charger for correct procedure.

This manual is intended for those who work with the i-mop XXL Pro and/or perform daily maintenance. The manual must be read fully before the first actions. This manual describes the correct method of use, safety measures, maintenance and transport.

The manufacturer continuously improves all their products based on user experience and feedback. Any deviations between the texts and/or images from the manual and your i-mop XXL Pro can therefore arise from the difference in model or from possible changes due to continuous development and innovation.

1.1 Intended use of the product

The i-mop XXL Pro is a specialized machine for scrubbing floor surfaces. You can use any type of water-based scrubbing detergent.

The fluid tank, brushes and squeegee come in HACCP color coded versions (blue, green, red, yellow and orange). All three items can be easily replaced. This allows you to use different cleaning solutions, for instance; when you move from the food preparing area to the restaurant. Make sure that the color code for the fluid tank, brush and squeegee **ALWAYS** match each other.



Figure 1



1.2 Non-intended use of the product



WARNING

Non-intended use can have consequences for the safety of operators and bystanders and will void the warranty on the product.

- **NEVER** operate the i-mop® XXL Pro near flammable dusts, liquids or vapors.
- **NEVER** operate the i-mop XXL Pro when flammable or poisonous liquids like gasoline, oil, acids, or other volatile substances are on the floor.
- **DO NOT** fill the i-mop XXL Pro with any flammable detergent. **ONLY** use the water-based cleaning solutions.
- **DO NOT** use water that exceeds 113 °F / 45 °C. Using water warmer than this temperature will void the tank warranty.
- **DO NOT** use cleaning solutions with a pH level below 2 or above 11 in order to prevent damage to sensitive components.
- **DO NOT** use the i-mop XXL Pro outdoors or on uneven surfaces.
- **DO NOT** operate this i-mop XXL Pro over electrical floor outlets in order to avoid electrical shock.
- **DO NOT** carry passengers on top of the i-mop XXL Pro. No riders!
- **DO NOT** use the i-mop XXL Pro as stepladder or platform.
- **DO NOT** store the i-mop XXL Pro outside in order to avoid damage to electronic components.
- **ONLY** use manufacturer-supplied parts for maintenance.
- **KEEP AWAY** from children! The i-mop XXL Pro is a professional cleaning machine to be used by trained adults only.

1.3 Lifespan

Each i-mop XL Pro is guaranteed to operate for at least 2000 hours. The wear on brushes and squeegee heavily depends on the roughness of the surface. They need to be checked regularly.



CAUTION

To ensure proper and safe operation throughout the life of the i-mop XXL Pro, the machine must be checked by an authorized i-team partner every 500 hours.

1.4 Modifications

It is not permitted to make modifications to the design of the i-mop XXL Pro without consultation and permission from the manufacturer. This affects the warranty, see section 1.7 of this manual.



1.5 Brushless motor

Each i-mop XXL Pro is equipped with a brushless motor. Due to this innovation the usage time of the i-mop XXL-Pro is increased with 20%. But also has the (carbon) emission of the i-mop XXL-Pro has been reduced to zero!

1.6 Specifications

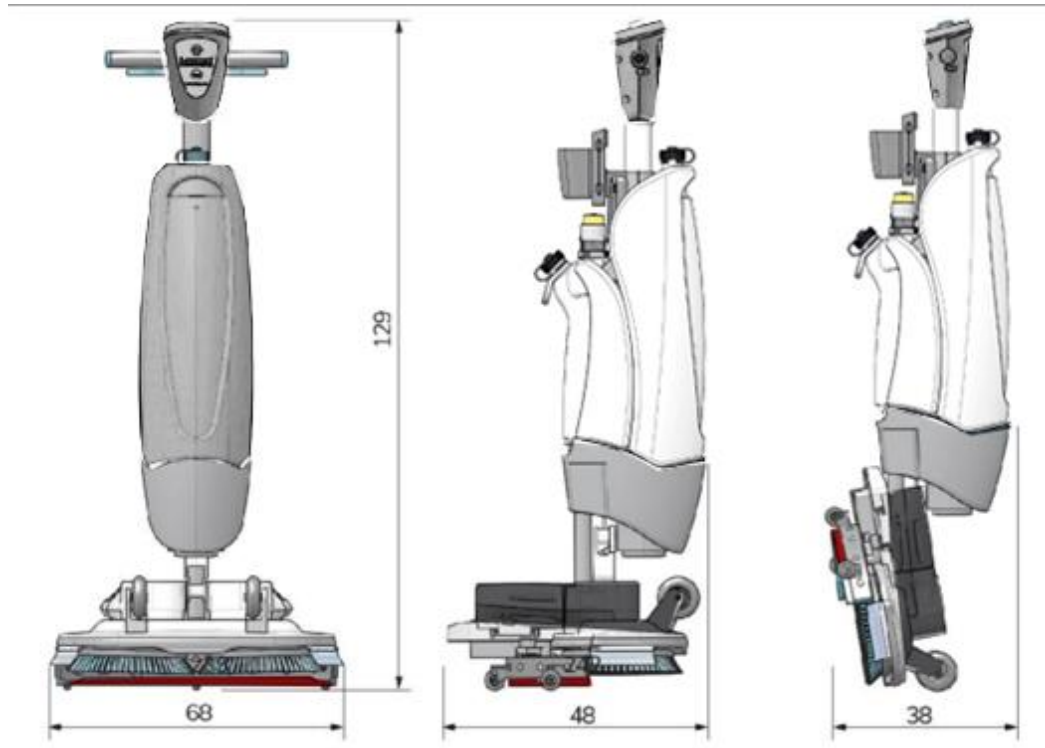


Figure 2

Product size:	129 x 68 x 48 cm
Product size in store position:	129 x 68 x 38 cm
Weight (including batteries):	26 kg
Li-on battery:	DC (25.2V, 14Ah, 353Wh)
Battery capacity:	2 batteries
Operation time of batteries:	100 MIN. (i-power9) / 150 MIN. (i-power14)
Brush pressure:	31.5 gr/cm ²
Brush speed:	350 RPM
Detergent tank capacity:	5 L
Recovery tank capacity:	8 L / 5 L recommended max
Vibration:	Amplitude: <0.4442 mm Velocity : <0.008 m/s Acceleration: 0.943 m/s ²
Noise level (1m):	64.0 dB(LOW) 68 dB (HIGH)
Theoretical performance:	Up to 2300 m ² per hour
Practical performance:	1200 - 1800 m ² per hour
Scrub deck anti-corrosion coating:	YES
Castor wheels:	YES
Power cut off at store position:	YES



Angle power cut off:	YES < 32°
Floating ball for recovery tank:	YES
Hour counter:	YES via i-link

1.7 Warranty

The i-mop® XXL Pro should be used as intended and described in this manual. Using the i-mop XL Pro outside will void the warranty on the product.

1.8 Identification

The ID tag, containing a serial number and production number, can be found on the bar behind the wastewater tank.

- Serial number (Figure 3, pos. 1).
- Production day (Figure 3, pos. 2).
- Production year (Figure 3, pos. 3).

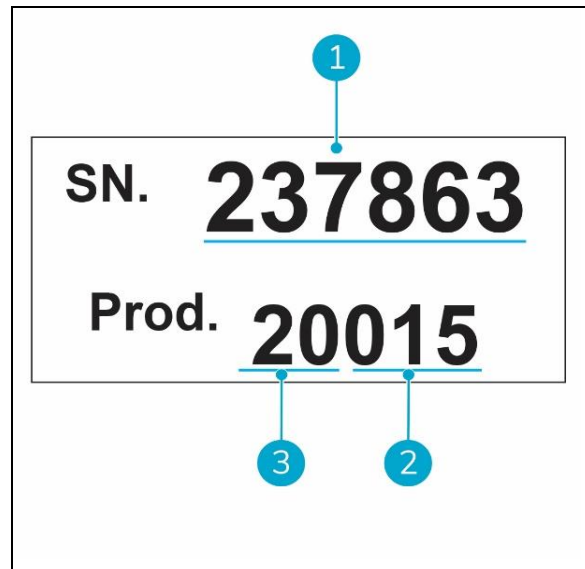


Figure 3

1.9 QR-code

A QR-code, can be found at the top of the handle, Figure 4. When scanning the QR-code a video will be opened on your device, showing how to use the i-mop XXL Pro. See manual i-link for further instructions.



Figure 4



2 Description

The compact i-mop® XXL Pro consists of two main parts:

- The body that contains the motor, cleaning solution tank, recovery tanks, handle with triggers and control panel.
- The scrub deck that contains the brushes and squeegee.

The i-mop XXL Pro can be folded into a store position; this is recommended for storage.

The i-mop XXL Pro consists of:

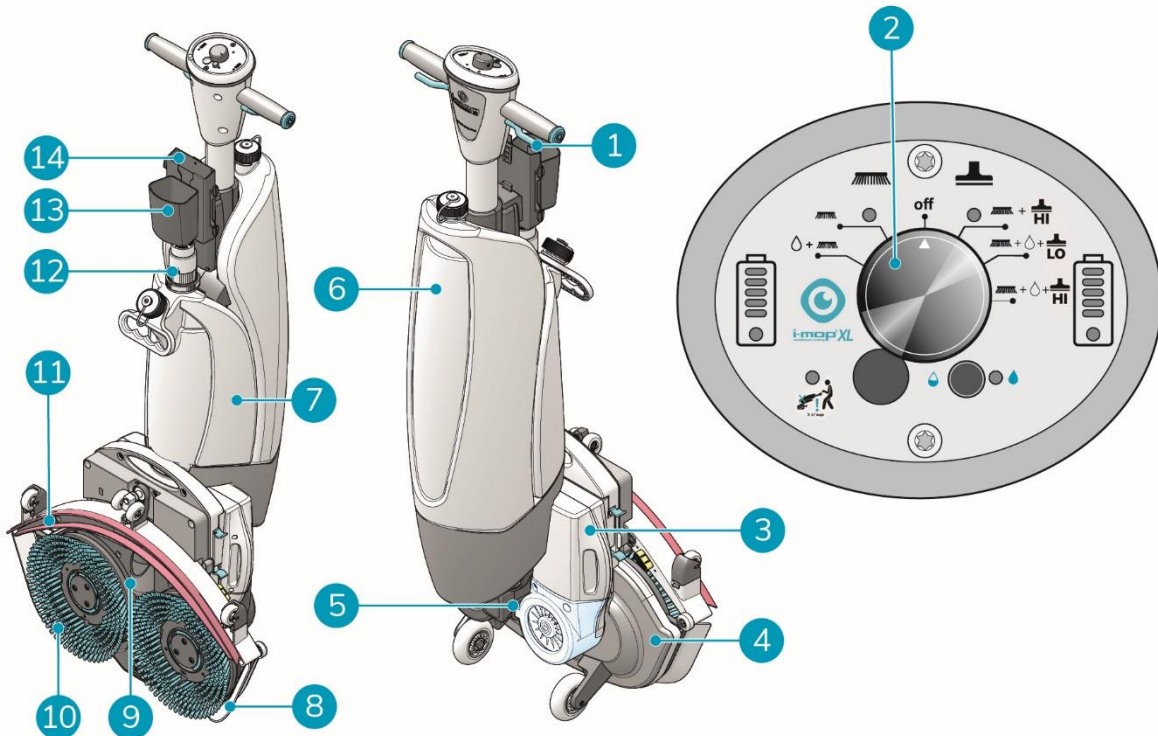


Figure 5

Legend

- | | |
|------------------|-----------------------|
| 1. Trigger | 8. Splash guard |
| 2. Control panel | 9. Vacuum hose |
| 3. Batteries | 10. Rotating brushes |
| 4. Scrub deck | 11. Squeegee |
| 5. I-balancer | 12. i-dose injector |
| 6. Recovery tank | 13. Recycle bin |
| 7. Solution tank | 14. Cell phone holder |



3 Safety

Safety comes first. Therefore, please take your time to read and understand these safety instructions. Improper use can cause harm or void the manufacturer's warranty.

3.1 General safety instructions

3.1.1 Sweep before scrub

Remove objects from the floor that can be propelled by or caught in the rotating brushes.

3.1.2 Brush condition

Make sure to check the condition of the brush before use. Change the brush only when the machine is turned off in the stored position.

3.1.3 Machine orientation

Always keep the body of the i-mop® XXL Pro in an upright position when inserting cleaning fluid or batteries.

3.1.4 Anti-microbial tanks

Always keep the anti-microbial tanks of the i-mop out of direct sunlight. This can cause discoloration.

3.1.5 Strong magnets



CAUTION

Please be aware of the integrated magnets that hold the fluid tanks in place and on the scrub deck.



WARNING

Operators and maintenance crew wearing pacemakers should keep a minimal distance of 6 in / 15 cm.

3.1.6 Batteries

Always use the automatic battery charger provided by the manufacturer.



CAUTION

During normal operation, the 24 V batteries cause no safety hazard on their own. Please adhere to the following safety instructions regarding the batteries:

- Do not crush, pierce or damage in any way.
- Do not heat or incinerate.
- Do not short-circuit.
- Do not dismantle.
- Keep dry.
- Only charge between 5 °C~40 °C / 41 °F~104 °F.
- Only use between 5 °C~45 °C / 41 °F~113 °F.



3.2 Risks during operation

3.2.1 Dress safely

Do not wear a necktie, scarf, or any loose or dangling clothing or jewelry of any type while operating the i-mop® XXL Pro. These types of clothing or jewelry can become tangled in rotating parts, causing serious injury or death.

3.2.2 Mark the job site

The i-mop XXL Pro is designed to leave a dry floor without slippery patches, no additional drying is required. When running the i-mop XXL Pro with the vacuum function OFF please mark the job site with a wet floor marker.



CAUTION

Marking the jobsite with a wet floor marker is not required when using the vacuum function of the i-mop XXL Pro, unless this is a mandatory work safety requirement by local law. When unsure mark the job site to warn passersby.



CAUTION

During operation the cleaning solution can cause slippery patches on the floor. Therefore, it is advised to mark the job site with a wet floor marker to warn passersby.

3.2.3 Careful when parking

Do not park the i-mop XXL Pro on ramps or slopes. Always park the i-mop XXL Pro on a level, hard surface. The i-mop XXL Pro can be parked using the i-balance system. The i-mop XXL Pro should only be parked either with the i-balance system or by lifting the deck into store position. Risks after operation

3.2.4 Remove battery packs

It is best practice to remove the batteries before executing any maintenance task and before storage.

3.2.5 Machine orientation

Always keep the body of the i-mop XXL Pro in an upright (store) position when replacing brushes or squeegee.

3.2.6 Careful when storing

Do not store the i-mop XL Pro on ramps or slopes. Always store the i-mop XXL Pro on a level, hard surface. Do not store the i-mop XXL Pro in park position.



4 Transport and storage

4.1 General



CAUTION

Always keep the body of the i-mop® XXL Pro in an upright position when filling the cleaning solution tank or inserting the batteries.

Before storage or transport, drain the machine and remove the batteries after each use.

4.2 Store position



CAUTION

Do not put the i-mop XXL Pro in store position while the i-balance system is engaged

The store position is the upright vertical position for storage and maintenance tasks. The store position will disable the power to the machine. (The first 3 minutes there is no disabled power to the machine in parking position, for service and maintenance purpose).

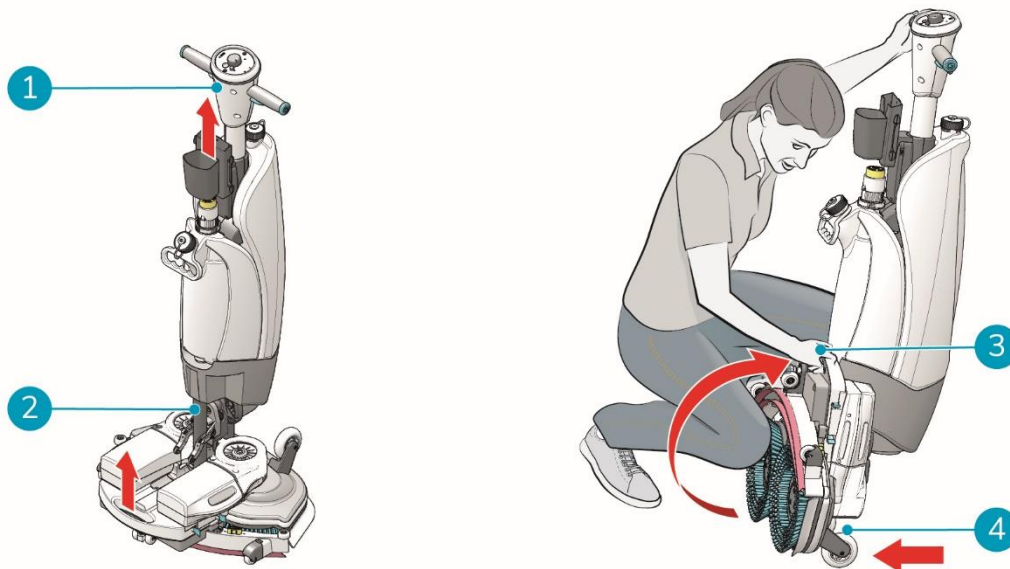


Figure 6

1. Make sure the vacuum hose (Figure 6, pos 2) is pushed back into the machine so it cannot get squeezed.
2. Crouch down and hold the handle (Figure 6, pos 1) with one hand while holding the scrub deck (Figure 6, pos 3) with your other hand.
3. Flip the i-balance bracket into vertical position.
4. Now the scrub deck can be lifted slowly until it stands upright on the front wheels (Figure



5, pos 4). Guide the body towards the scrub deck until it snaps into a resting position.

4.3 Transport outside

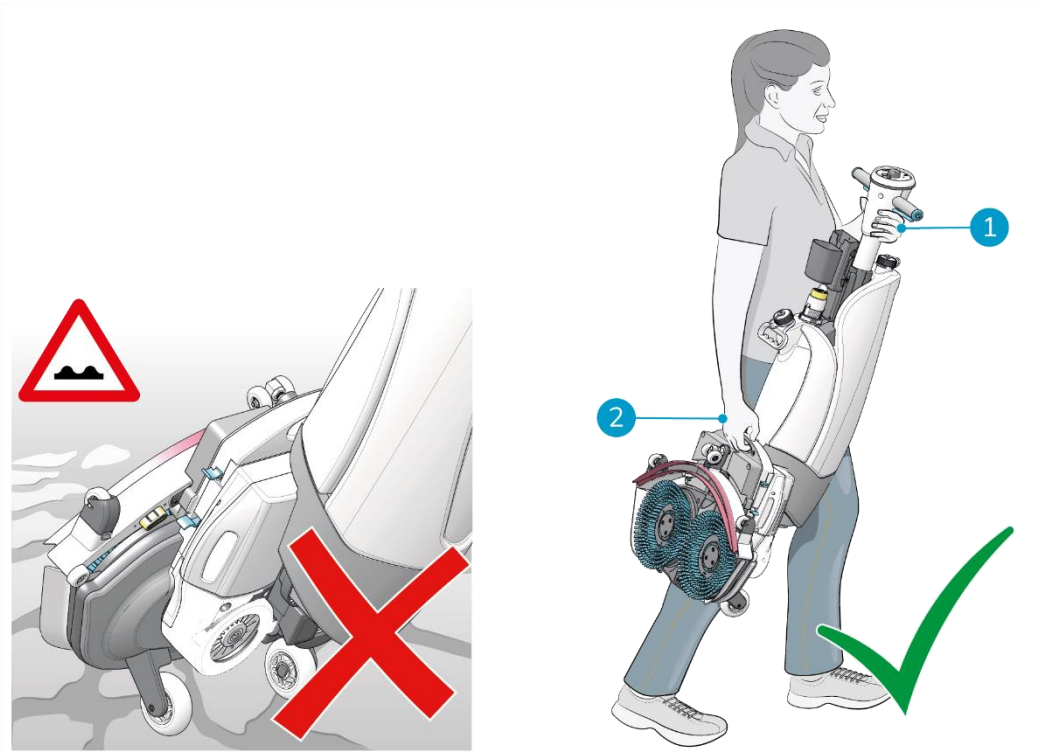


Figure 7

When outside:

1. Put the i-mop[®] XXL Pro in store position, see section 4.2.
2. Carry the i-mop XXL Pro with one hand (Figure 7, pos. 2) while holding the handle with your other hand (Figure 7, pos. 1).



CAUTION

The transport wheels are not designed to roll over dirty surfaces, sand can cause the wheels to block. Lift the i-mop XXL Pro while moving it from one building to another.



4.4 Transport in a vehicle

The preferred way to transport your i-mop® XXL Pro is in an upright position and safely secured.

1. Make sure both tanks are empty.
2. Put the i-mop XXL Pro in store position, see section 4.2.
3. Remove the batteries.
4. Lift the i-mop XXL Pro into the vehicle. Don't forget the batteries.
5. Secure the i-mop using a tension belt or another appropriate restraint (Figure 8, pos 1).

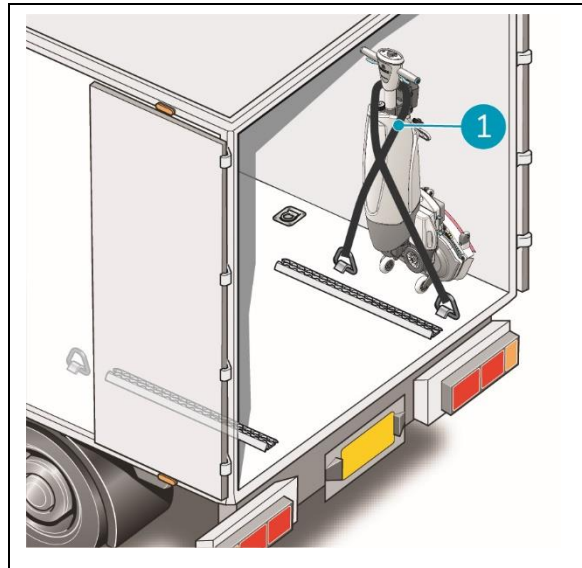


Figure 8

TIP:

The i-stand wall mount accessory can be installed in the back of a truck. It allows you to secure the i-mop and transport the i-mop in an upright position. Please contact our sales department for more information.

The i-mop XXL Pro is a compact machine and fits in the trunk of your car. Before loading the i-mop XXL Pro into your vehicle, make sure both tanks and battery packs are removed or leave it as it is.

1. Put the i-mop XXL Pro in store position, see section 4.2.
2. Remove the batteries and both tanks and pack them separately for transport
3. Set the i-mop® XXL into a vertical/store position
4. Prevent the i-mop XXL Pro from moving around during transport by using a tension belt or another appropriate restraint.



CAUTION

The seal of the solution and recovery tank can be damaged during transport in horizontal position. Make sure you remove the tanks before loading the machine into your car. Improper use will void the warranty.



5 Assembly and installation

The i-mop® XXL Pro does not require much assembly. Most importantly, you will have to attach the brushes and squeegee.

5.1 Unboxing

The i-mop XXL Pro body is packed in a single box. The battery and charger are delivered in a separate box and can be ordered separately.

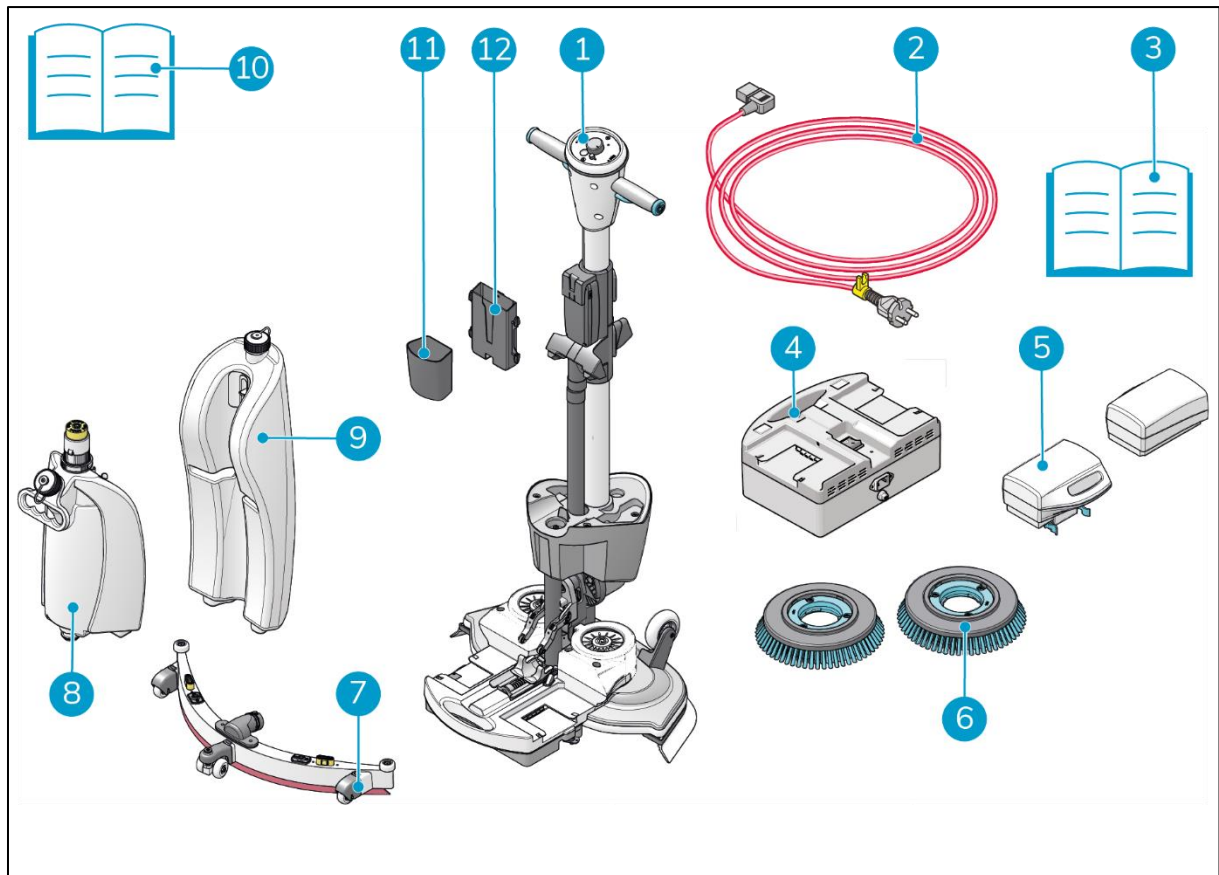


Figure 9

- | | |
|---------------------------------------------|------------------------------|
| 1. 1x i-mop XXL Pro main body | 7. 1x squeegee assembly |
| 2. 1x power cord (when ordered) | 8. 1x cleaning solution tank |
| 3. 1x battery charger manual (when ordered) | 9. 1x recovery tank |
| 4. 1x battery charger (when ordered) | 10. 1x this manual |
| 5. 2x batteries (when ordered) | 11. 1x recycle bin |
| 6. 2x brushes | 12. 1x cell phone holder |



5.2 Assembly

5.2.1 Charging the batteries

Charge the batteries according to the instructions in the battery charger manual. Make sure the battery packs are charged regularly.

5.2.2 Attaching the brushes

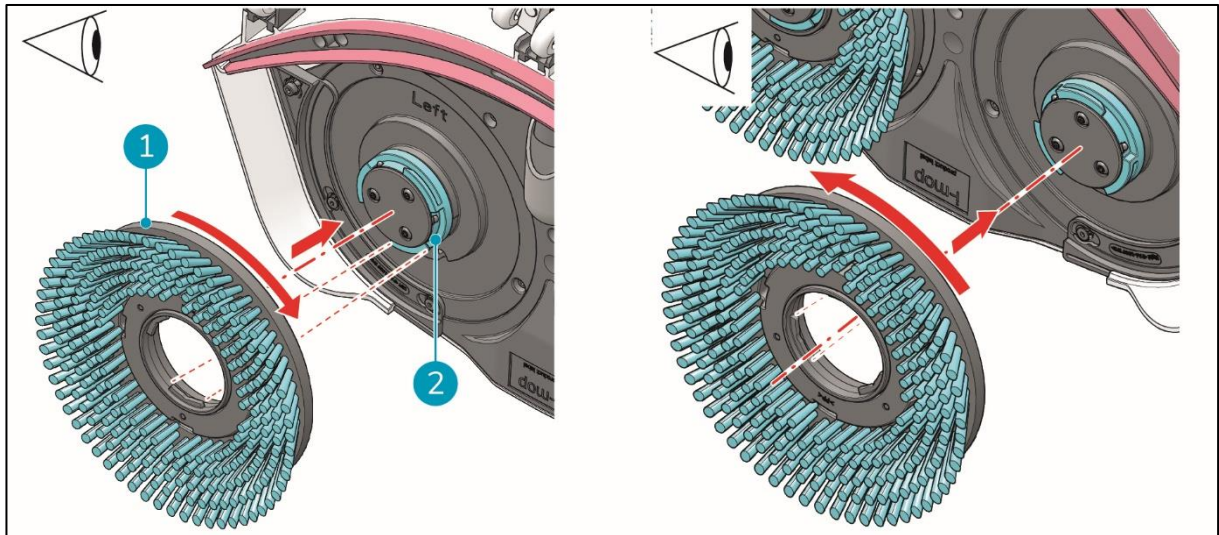


Figure 10

To attach the brushes:

1. Put the i-mop® XXL Pro in store position, see section 4.2.
2. Hold the scrub deck firmly with one hand.
3. Align the left brush (Figure 10, pos. 1) with the left motor disk (Figure 10, pos. 2). Align the latches and cut-outs in the brush and motor disk.
4. Push the brush on the motor disk.
5. Turn the left brush clockwise until you see the motor disk rotating. Three spring operated nobs will click into a notch thus securing the brush from detaching.
6. Align the right brush with the right motor disk. Align the latches and cut-outs in the brush and motor disk.
7. Push the brush on the motor disk.

Turn the right brush counterclockwise until you see the motor disk turning. The brush is now in place. Three spring operated nobs will click into a notch thus securing the brush from detaching.



5.2.3 Attaching the squeegee

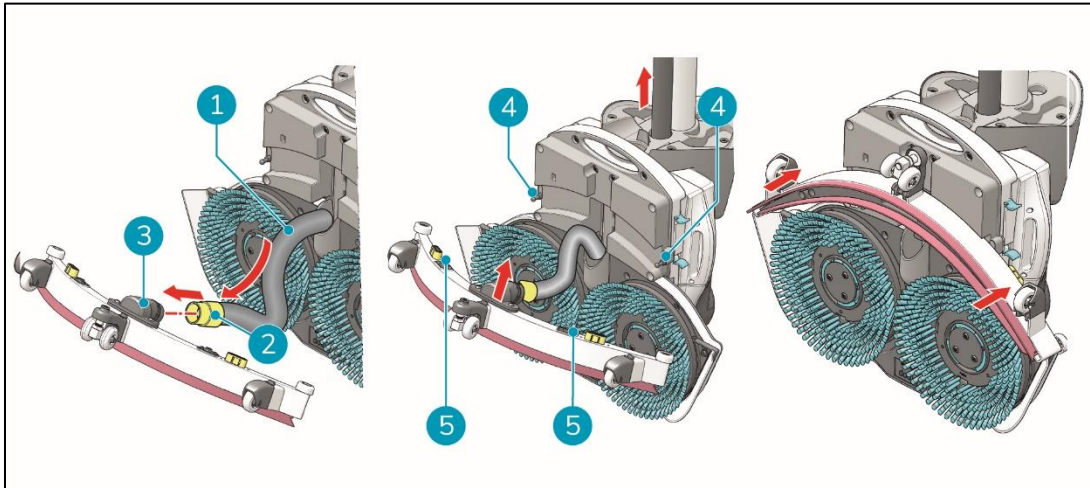


Figure 11

To attach the squeegee:

1. Take the vacuum hose (Figure 11, pos. 1).
2. Insert the hose connector (Figure 11, pos. 2) in the squeegee (Figure 11, pos. 3).
3. Twist the hose connector $\frac{1}{4}$ turn for a firm fit (Figure 11, pos. 2).
4. Carefully pull the vacuum hose back into the machine.
5. Hold the scrub deck firmly with one hand.
6. Align the pins on the scrub deck (Figure 11, pos. 4) with the holes on the squeegee (Figure 11, pos. 5).
7. Push the left side of the squeegee in place.
8. Push the right side of the squeegee in place.

5.2.4 Installing the recovery tank

1. Put the bottom of the recovery tank (Figure 12, pos. 1) on the front of the i-mop® XXL Pro (Figure 12, pos. 3).
2. Push the top of the tank into place until you hear a 'click' sound, the magnet (Figure 12, pos. 2) will lock the recovery tank into place.

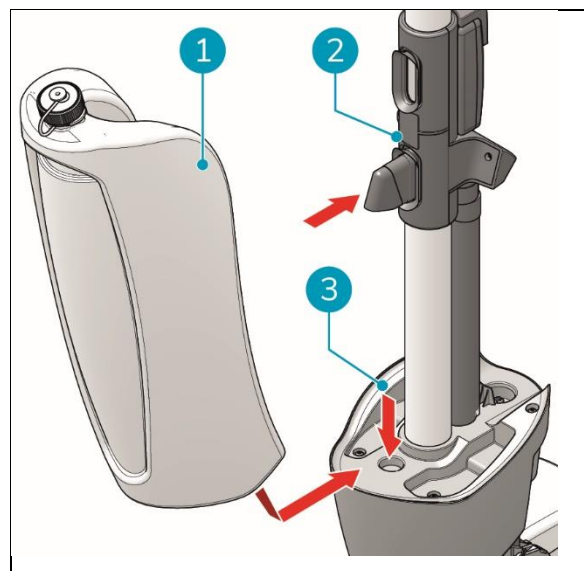


Figure 12



5.2.5 Installing the cleaning solution tank

1. Put the i-mop® XL Pro in store position, see section 4.2.
2. Put the cleaning solution tank (Figure 13, pos. 1) on the i-mop XXL Pro with the valve first.
3. Press the tank downward on the nipple to open the valve seal.
4. Push the tank forward into place until you hear a 'click'.

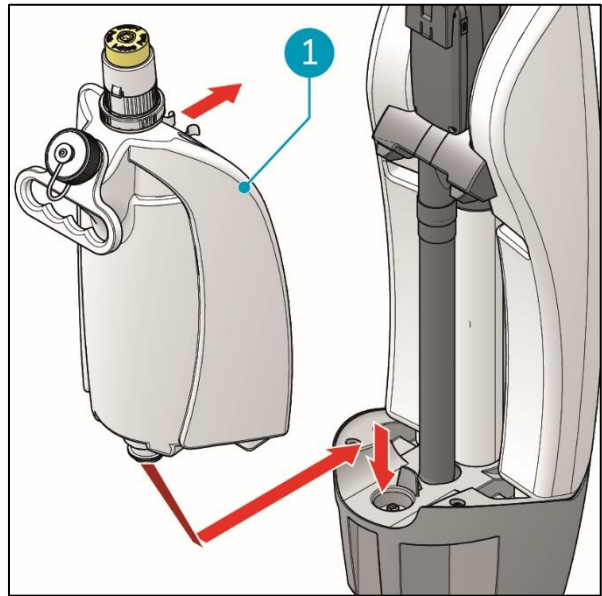


Figure 13

5.2.6 Attaching the cellphone holder and recycle bin

1. Slide the rear of the cellphone holder (Figure 14, pos 2) into the slot of the holder. Slide the rear of the recycle bin (Figure 14, pos 1) into the notch on the cellphone holder.

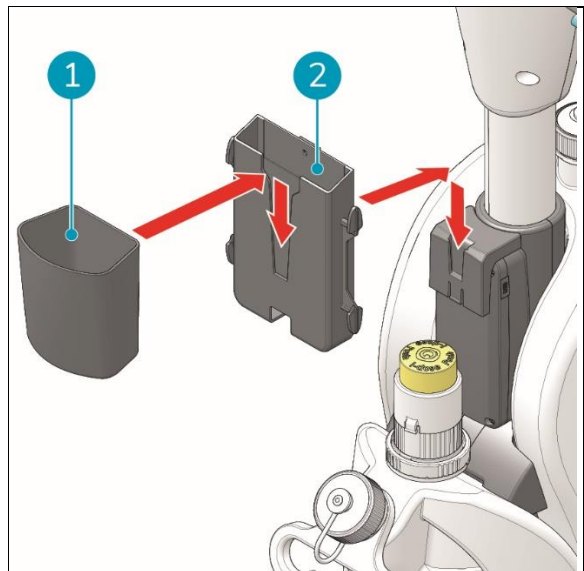


Figure 14



5.2.7 Using the USB port

The IOT unit has been equipped with an USB-port (Figure 15, pos 1).



CAUTION

The USB port is only to be used for charging cell phones.

To use the port:

2. Put your cell phone in the specially designed cellphone holder (Figure 15, pos 2).
3. Connect the USB cable from your phone with the USB port.
4. Remove the plug once the phone is charged. into the notch on the cellphone holder.

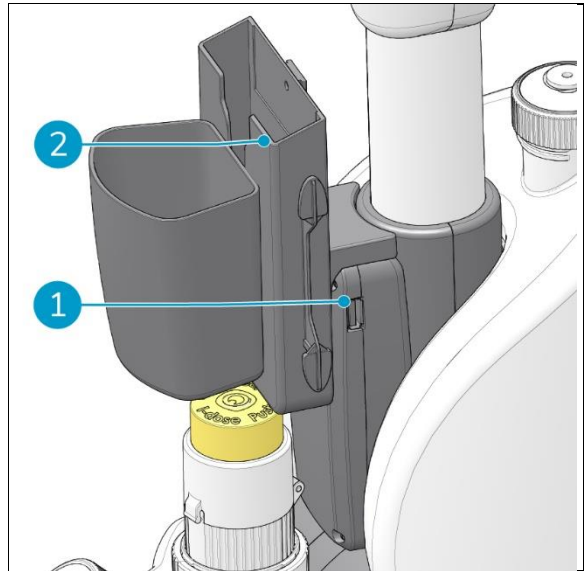


Figure 15



6 Operation

6.1 Before you start

Check the brushes and squeegee for wear and tear, see section 7 for maintenance instructions.

6.1.1 The i-power 9 & 14 Pro battery

6.1.2 Serial plate

A serial plate with QR-code, can be found at the rear of the deck, Figure 4.

Scan the QR code for further info if necessary.



Figure 16

6.1.3 Inserting the batteries



CAUTION

Only use i-power® batteries specifically designed for use in i-mop® devices.

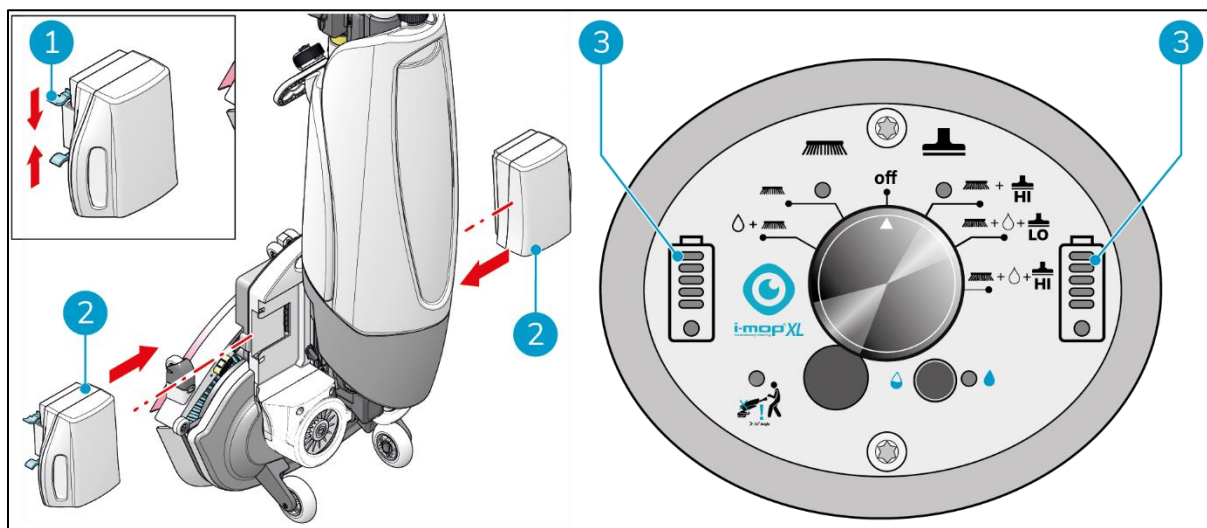


Figure 17

1. Push the blue coded battery (Figure 17, pos. 2) in the blue battery slot. A click indicates the battery is locked in place (Figure 17, pos. 1).



2. Push the grey coded battery in the grey battery slot. A click indicates that the battery is locked in place.
3. During operation, the battery indicators (Figure 17, pos. 3) on the control panel show the amount of power left.

TIP:

It is not recommended to use the batteries when charged below 40% (2 marks).

On the batteries a QR code can be found. When scanning this code the Technical Data Sheet and Specification Data Sheet will be shown. Also an instruction video will be opened, showing the proper use of the batteries. For further information on the batteries refer to the i-power-14 Pro battery manual.

6.1.4 Filling the cleaning solution tank

1. Remove the yellow cap (Figure 18, pos. 1).
2. Pour in a maximum of 1 gal / 4 L of water (Figure 18, pos. 2).
3. Put back the yellow cap (Figure 18, pos. 1) and make sure it seals tightly

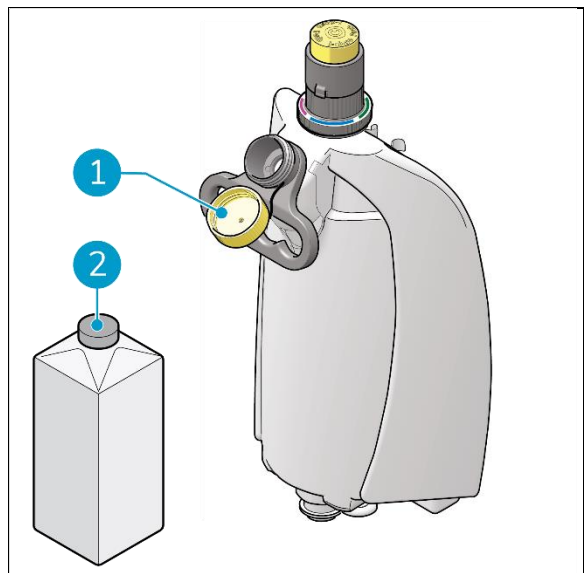


Figure 18

4. If applicable, remove the old i-dose pod and remove the cap (Figure 19, pos. 1).
5. Place the desired i-dose pod (Figure 19, pos. 2) in the i-dose injector.
6. Put back the cap (Figure 19, pos. 1).
7. Close the i-dose top (Figure 19, pos. 4).
8. Press the i-dose injector button (Figure 18, pos. 5) to dispense the contents of the i-dose pod.
9. Turn the indicator ring so that the color corresponding to the i-dose pod is facing towards you (Figure 18, pos. 3).

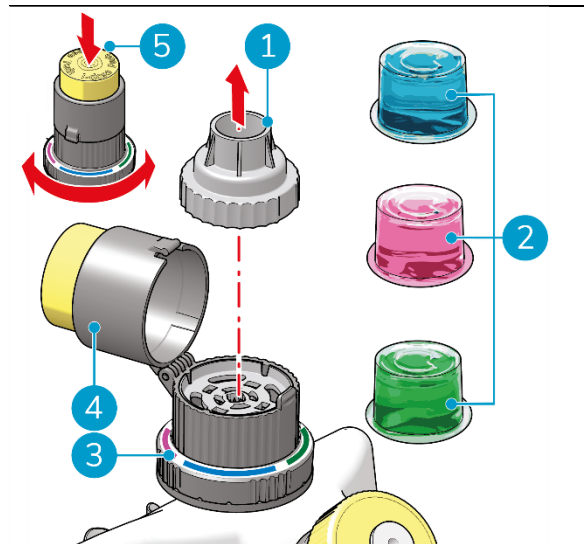


Figure 19



6.2 Operation procedure

6.2.1 Walking to the job site



Figure 20

To move the i-mop® XXL Pro from one location to another one in a building:

1. Put the i-mop XXL Pro in store position, see section 4.2.
2. Hold the handle with one hand (Figure 20, pos. 1).
3. Don't forget to bring a wet floor marker.
4. Walk slowly and pay extra attention if you pull the i-mop XXL Pro over obstacles.
5. To lift the i-mop XXL Pro over obstacles, always use two hands.
 - Hold the handle with one hand.
 - Lift the scrub deck with the other hand.



6.2.2 At the job site

1. Crouch down while holding the scrub deck firmly with one hand (Figure 21, pos. 2).
2. Push the handle forward with your other hand (Figure 21, pos. 1).
3. Bring the scrub deck slowly down to the floor. The i-balance bracket will pop out automatically.

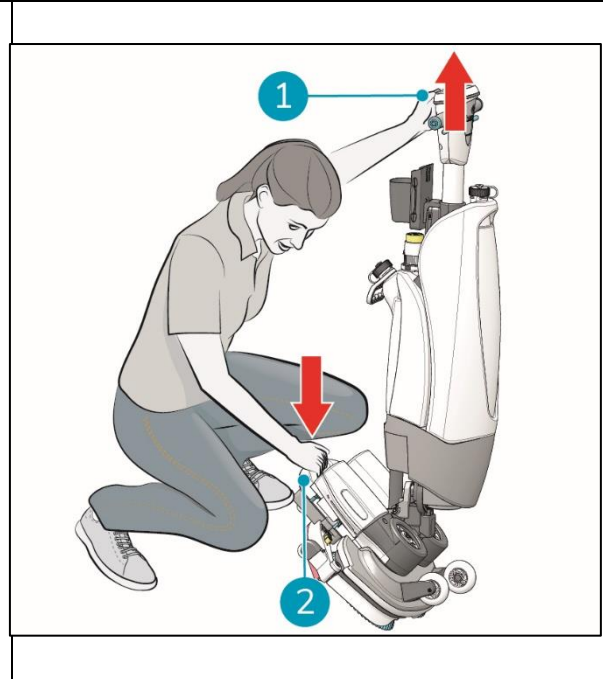


Figure 21



WARNING

Never push down the scrub deck with your foot.



ATTENTION

Unlike previous generations of i-mop, the i-mop XXL will only power on when the scrub deck is lowered on the floor. When parked in its upright position, the i-mop XXL will remain completely powered off to avoid unwanted battery discharge. (The first 3 minutes there is no disabled power to the machine in parking position, for service and maintenance purpose)

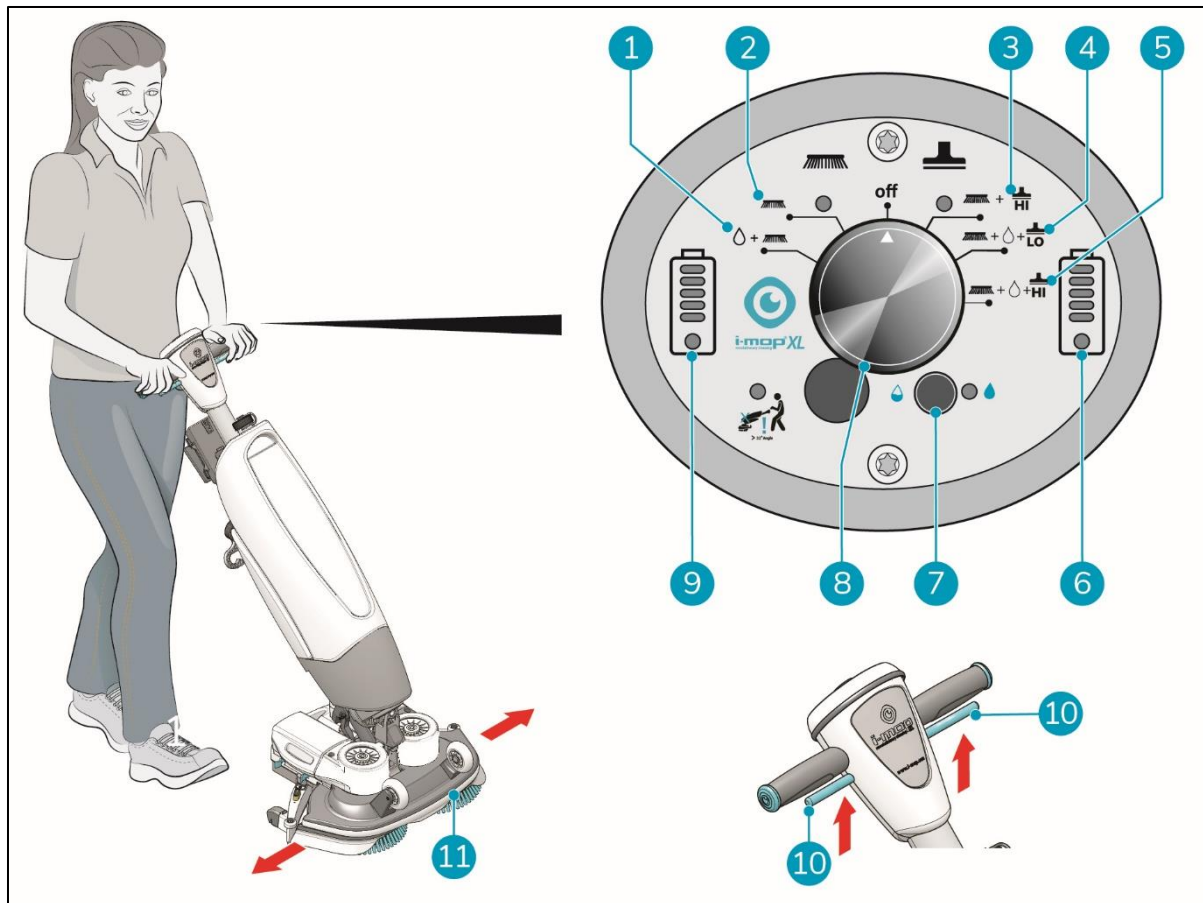


Figure 22

4. Stand behind the i-mop® XXL Pro. Choose your cleaning mode via the main switch (Figure 22, pos. 7). This will also turn on the i-mop XXL Pro. You can select the options independently or combined.
 - MODE 1: Brush + water/cleaning solution (Figure 22, pos. 1).
 - MODE 2: Brush only (Figure 22, pos. 2).
 - MODE 3: Brush + vacuum (Figure 22, pos. 3).
 - MODE 4: Brush + water/cleaning solution + Lo vacuum (Figure 22, pos. 4).
 - MODE 4: Brush + water/cleaning solution + Hi vacuum (Figure 22, pos. 5).
5. Hold the handle with both hands.
6. Squeeze the trigger on the handle (Figure 22, pos. 10). This will also start the i-mop® XXL.
7. Once the trigger is squeezed the i-mop XXL Pro will move forward.
8. Walk behind the i-mop XXL Pro.
9. Steer by gently turning the handle left or right to move the scrub deck (Figure 22, pos. 11).
10. Releasing the trigger (Figure 22, pos. 10) will immediately stop the i-mop XXL Pro. The vacuum motor will stop after 3 seconds.



TIP: Learn to swivel

Operating the i-mop® XXL Pro is very intuitive and like riding a bicycle. The i-mop XXL Pro is designed to move forward. To turn, stop walking and use your inside hand (the hand in the direction you want to go to) to turn the handle. The i-mop XXL Pro can swivel 360 degrees making it possible to reverse direction.

6.2.3 i-balance system



WARNING

Do not store the i-mop XXL Pro in park position. To avoid wear on the brushes, lights will start blinking when the i-mop is in park position for over 10 minutes.



WARNING

Do not force the i-mop handle to go lower than 32 degrees. The i-balance system will stop the i-mop handle from lowering to that point, so when you feel resistance, do not continue to force it down. This can damage your i-mop.

The i-mop XXL Pro is equipped with the revolutionary i-balance system. This system allows to park the main body of the i-mop XXL Pro in any position. Simply rest the i-mop in the position you like, and it will stay standing. The i-balance system also helps to support the weight of the machine using a tensioned spring.

To activate the i-balance system:

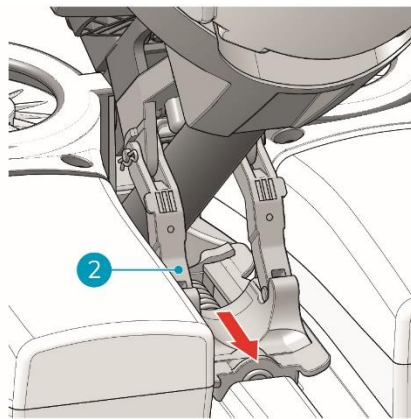
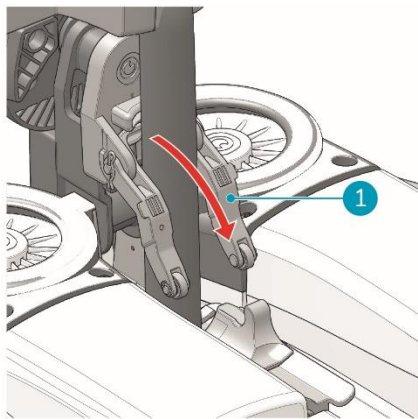


Figure 23

1. Lift the main body of the i-mop XXL Pro to vertical position. The bracket of the i-mop XXL Pro will automatically pop out, Figure 23, pos 1.
2. Lean back the main body of the i-mop XXL Pro. The rollers on the bracket will be pushed against the spring-operated bracket holder, Figure 23, pos 2.



6.2.4 Parking position

1. Parking with the i-balancer. (figure 23b)

The i-balance system allows the i-mop to stand up and remain balanced in any position while operating the i-mop XXL. Simply rest the i-mop in the position you like, and it will stay standing. The i-balance system also helps to support the weight of the machine using a tensioned spring.

* put the arm always back at storage position before parking the unit. (figure 23c).

* never store the machine using the i-balance system. (For long term, due to impact on brushes or pads lifetime)

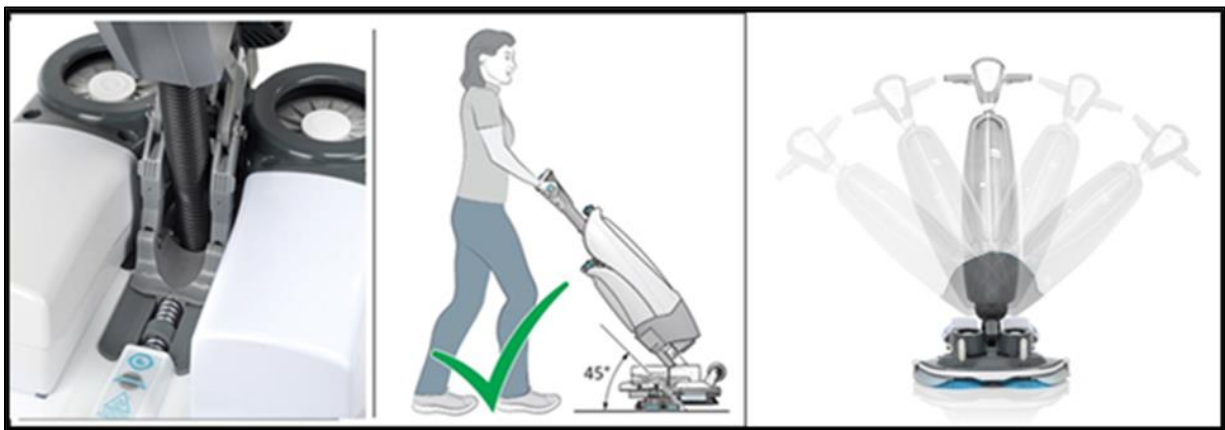


Figure 23b

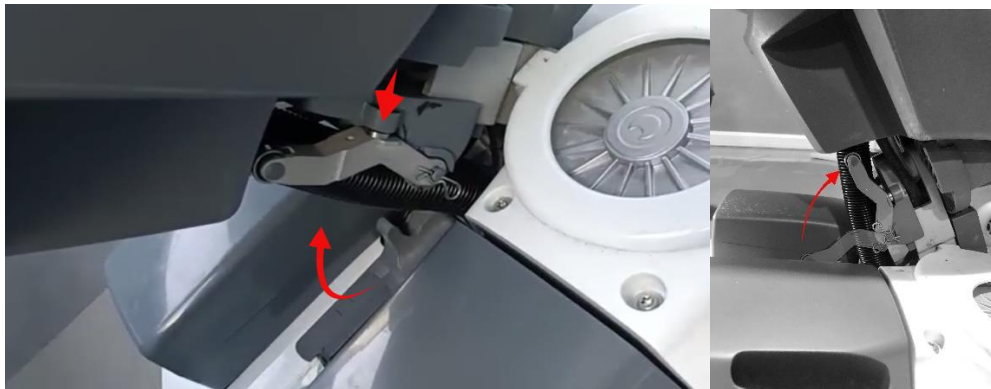


Figure 23c: bringing back in position before parking the unit.

2. For short term parking of the machine i-mop® has a built in timer to manage and guarantee it's durability on brushes. The operator shouldn't park the machine too long on it's brushes to avoid damage to the brushes. The display will start to light up as indicated in **figure 23d**. After 9.5 minutes the lights indicated on A,B,C,D start blinking.

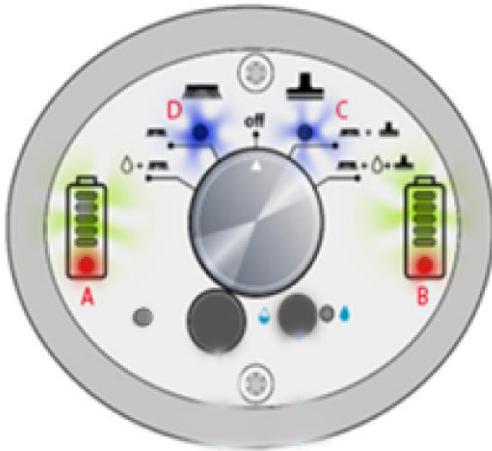


Figure 23d

3. After 9.5 minutes + 5 minutes the lights on the display A|B|C|D are off. Within this time setting you are still able to operate the machine if you switch on the machine. After 1.5 minutes more the machine will be completely shut off and you are not able to work with the machine anymore. By lifting the deck and bringing the deck down again you will be able to work again when you switch the knob in the desired direction.

TIP: Use the i-balancer as a parking

For quick actions like cleaning a surface with a microfibre cloth or get something quickly out of the work cabinet, you can park the i-mop on the i-balancer. By doing this, the machine will stand on it's own and the user would be able to do some quick emergency tasks. To avoid brush damage there is a built in timer that will inform the user what to do. See step 2 and 3 (6.2.4.) what the lights are for.



6.2.5 Easy lift kit



WARNING

Walk slowly and pay extra attention when the lifter kit is activated. The floor remains wet. Make sure to mark the job site using a wet floor marker.

Activating the lifter kit will lift the squeegee up, to give detergents some dwell time.

1. Put the i-mop® XXL Pro in store position, see section 4.2.
2. Push the lever (Figure 25, pos. 1) following the arrow .
3. Pull the lifter kit down. The wheel will go down (Figure 25, pos. 2).
4. Use the device as normal. Be careful the floor will remain wet.

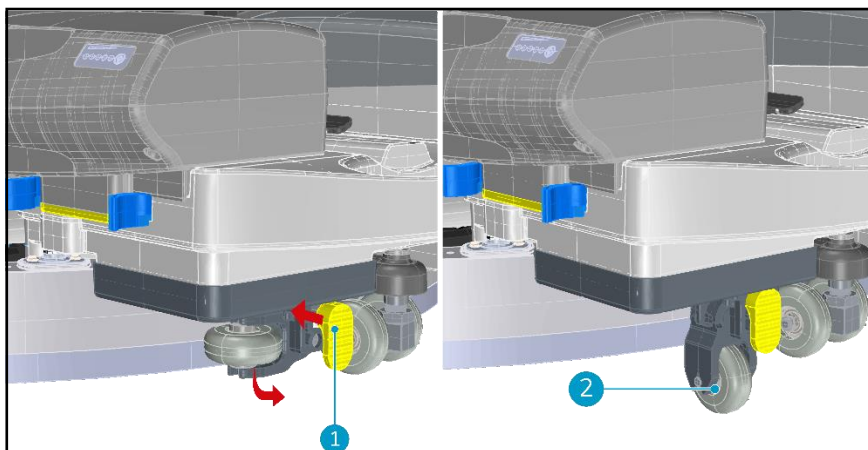


Figure 25

Make sure to end cleaning of the jobsite with the lifter kit deactivated.

1. To deactivate push the lever.(Fig. 25,1) The weight of the machine will push the lifter kit in.

6.2.6 ECO mode

The ECO mode will use 40% less cleaning solution.

1. Turn on the ECO mode by pushing the ECO button after you have selected your cleaning mode (Figure 24, pos. 1).
2. Turn off ECO mode by pushing the ECO mode again.
3. To adjust water flow when ECO mode is activated, you can remove the rubber cap (Figure 24, pos 2) and use a small flathead screwdriver to change the flowrate on the dial below the cap. See flowrate table below.

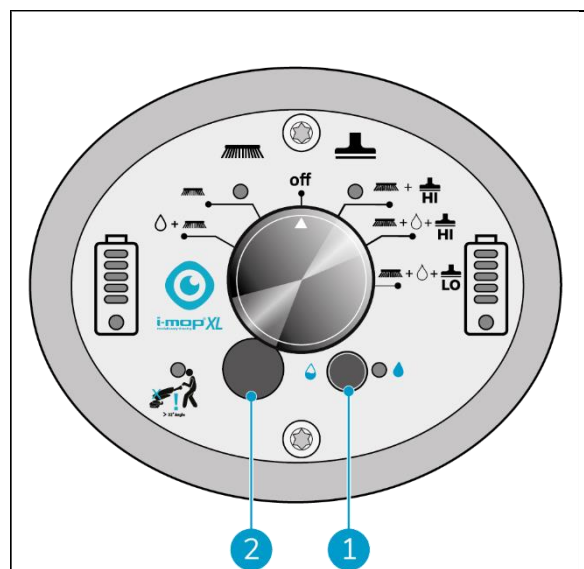




Figure 24

Standard flow: 250ml/minute

Arrow position	Water flow down time (Sec.)	Water stop tme (Sec.)	Water flow(ml/minute)	Remark
0	0.588	9.412	15	minimum flow rate water saving
1	1.176	8.824	29	
2	1.764	8.236	44	
3	2.352	7.648	59	
4	2.94	7.06	74	
5	3.528	6.472	88	
6	4.116	5.884	103	
7	4.704	5.296	118	
8	5.292	4.708	132	
9	5.88	4.12	147	
A	6.468	3.532	162	Standard flow rate water saving
B	7.056	2.944	176	
C	7.644	2.356	191	
D	8.232	1.768	206	
E	8.82	1.18	221	
F	9.408	0.592	235	Maximum flow rate water saving

Note that the flow rate is only affected when ECO mode is turned on.

6.2.7 Angle warning indicator

The angle warning indicator will flash at the blue circled area as soon the operator will go below 32 degrees. The indicator light will turn on and the water recovery will be paused. When the handle is raised above 32 degrees the vac motor will restart after 5 seconds. (figure 27)

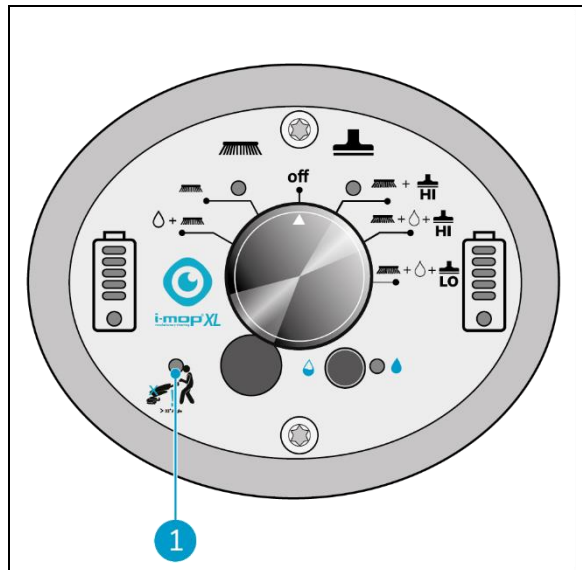


Figure 25



6.2.8 Turning off the i-mop® XL pro

1. Use the i-mop XXL Pro main switch (Figure 26, pos. 1) and choose MODE 3 Brush + Dry vacuum (Figure 26, pos. 2).
2. Operate it about 15-20 feet / 4-6 meter farther to vacuum remaining cleaning solution up.
3. Then set the main switch to the OFF position.

Note that the vacuum motor will continue to run for approximately 3 more seconds.

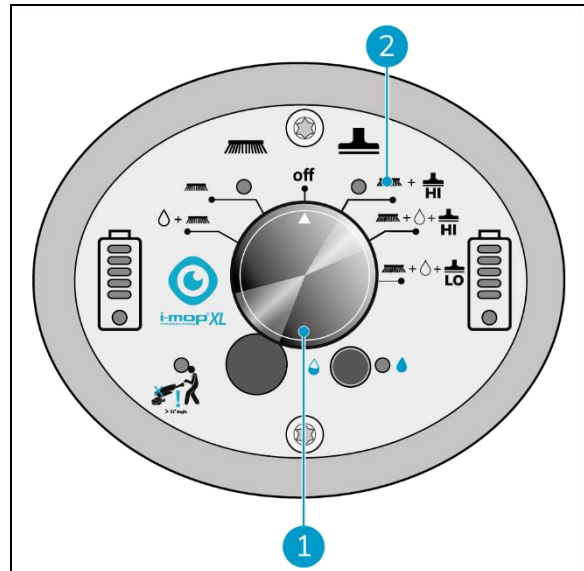


Figure 26

6.2.9 Emptying tanks

Dispose of water or cleaning solution from both tanks in an appropriate drain. Even though the recovery tank is bigger, empty it each time the cleaning solution tank is filled.



WARNING

Please observe the local provisions regarding solution disposal related to wastewater treatment.

6.3 Cleaning and storage

6.3.1 Flushing the system

Be sure to flush the tanks out completely to discard any remaining solution in the lines and valves:

1. Refill the solution tank with 2 to 4 cups / 0.5 to 1 liter of clean water.
2. Use the i-mop XXL Pro main switch (Figure 27, pos. 1) and choose MODE 4 Brush + Water/Cleaning solution + Dry vacuum (Figure 27, pos. 2).
3. Use the trigger to start the i-mop® XXL and allow it to flush the system.

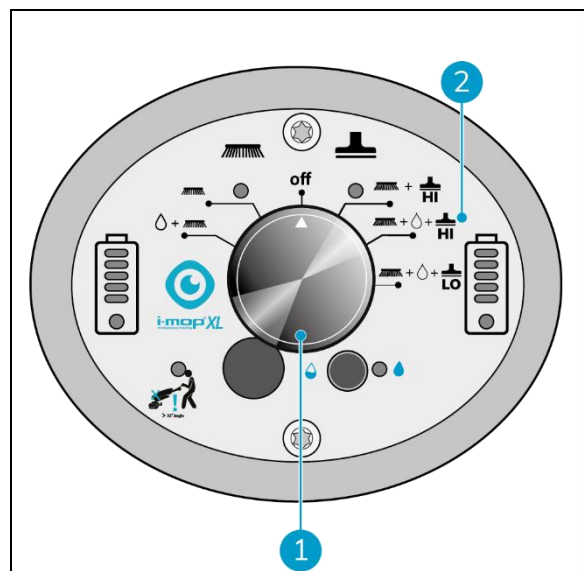


Figure 27

6.3.2 Cleaning the tanks

1. Dispose of water or cleaning solution from both tanks in an appropriate drain.



2. To clean the recovery tank thoroughly:
 - Partially fill the tank with fresh water and hold it horizontally with the holes facing up.
 - Tilt the tank repeatedly, thoroughly rinsing all the dirt and debris out from the tank.
3. To clean the solution tank, follow the same procedure.

TIP: Dry the tanks

Slightly open both tank caps before storage to allow the tanks to dry.

6.3.3 Cleaning the filter

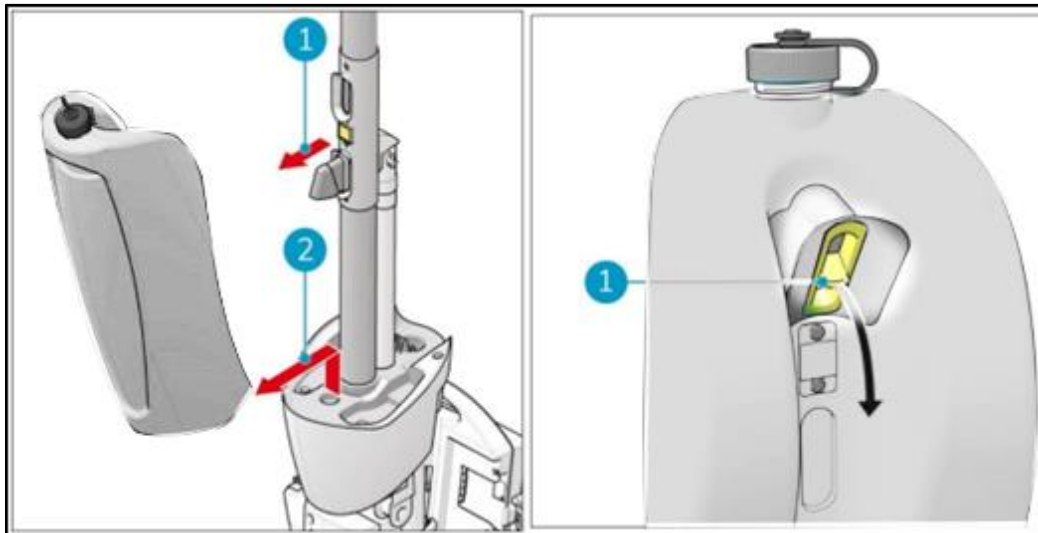


Figure 30

Figure 31

To clean the recovery tank and ball float shutoff assembly, you have to remove the recovery tank from the i-mop® XXL

1. Pull the top of the recovery tank outwards (Figure 30, pos 1).
2. Lift the recovery tank up and move it away from the body of the i-mop XXL (Figure 30 pos 2)
3. Grab the support frame of the ball float shutoff assembly (Figure 31, pos 1) between your index finger and your thumb and pull it outwards.

Taking apart the ball float shutoff.

4. Pull the support frame (Figure 32, pos 2) out of the rubber housing (Figure 32, pos 3). To do this, bend the rubber flaps (Figure 32, pos 1) outwards to release the 4 nocks of the support frame.
5. Pull the float ball housing (Figure 32, pos 4) out of the rubber housing. To do this, bend the rubber ring (Figure 32, pos 5) outwards to release the 4 nocks of the float ball housing.
6. The floating ball (Figure 32, pos 6) comes out
7. Rinse the parts with tap water. If required, clean with a brush (Figure 32, pos 1).

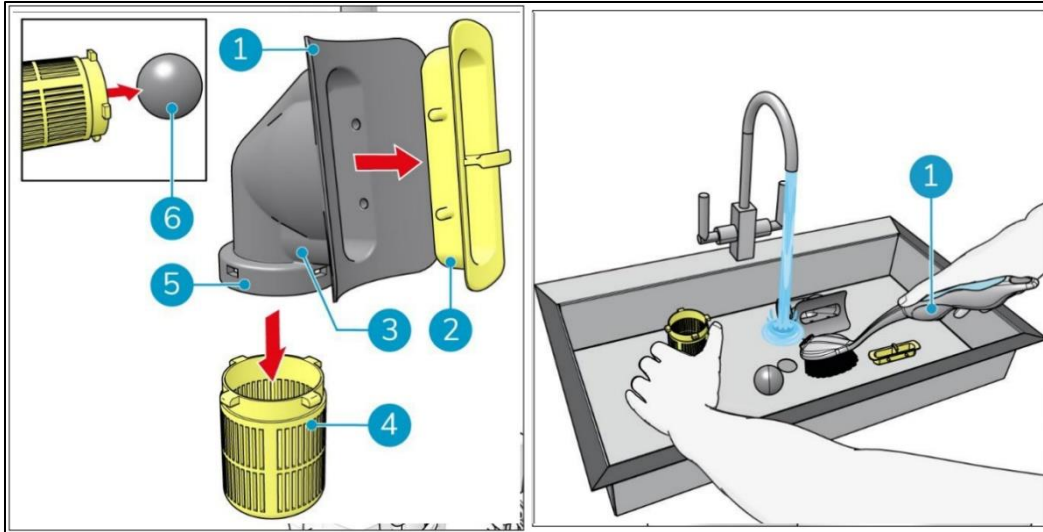


Figure 32

Figure 32

Assembling the ball float shutoff.

8. Place the floating ball in the float ball housing (Figure 33, pos 1).
9. Press the float ball housing (Figure 33, pos 4) into the rubber housing (Figure 33, pos 3). Make sure that the 4 nocks of the float ball housing fit into the holes in the rubber ring (Figure 33, pos 5).
10. Press the support frame (Figure 33, pos 2) in the rubber housing (Figure 33, pos 3). Make sure that the 4 nocks fit into the holes of the rubber housing.
11. Fill the recovery tank with approximately 1 liter of tap water (Figure 33, pos 1).
12. Carefully shake it and dispose of the waste water properly.
13. Place the ball float shutoff assembly back in the recovery tank, see Figure 34. Make sure that the support frame and rubber housing sit flush on the tank and seals it.

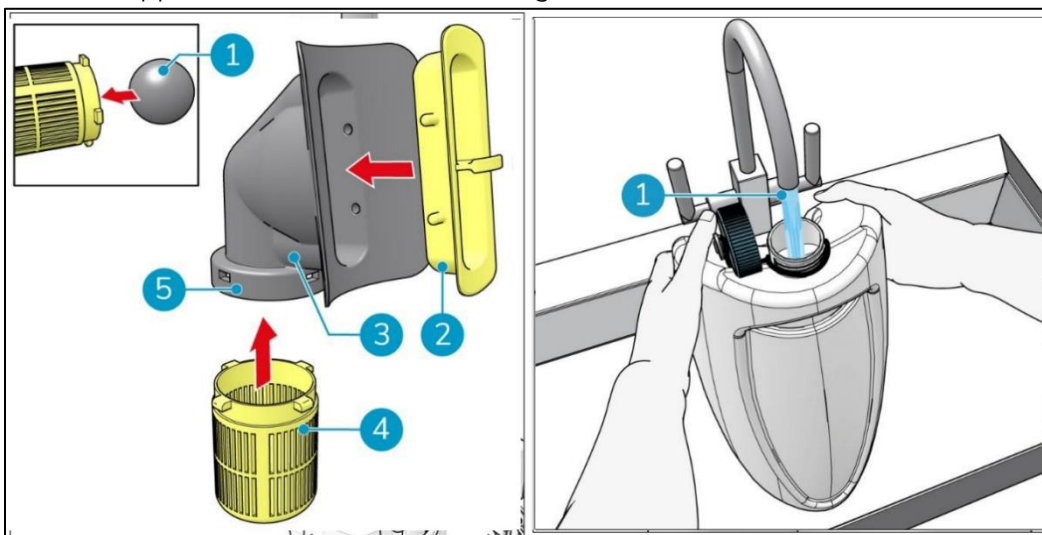


Figure 33

Figure 34



14. Put the bottom of the recovery tank (Figure 35, pos 1 and pos 3) on the front of the i-mop® XXL
15. Push the top of the tank into place until you hear a "click" sound, the magnet (Figure 35, pos 2) will lock the recovery tank into place.

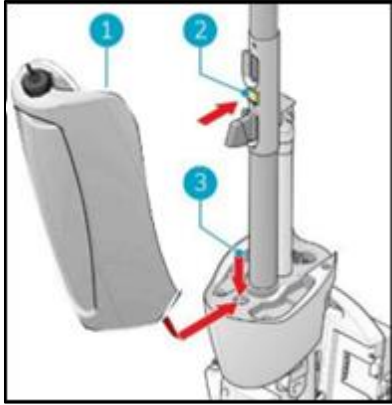


figure 35.

6.3.4 Removing battery packs

1. Put the i-mop® XXL Pro in store position, see section 4.2.
2. Hold the i-mop XXL Pro by the scrub deck to stabilize.
3. While pressing both plastic pins inwards (Figure 28, pos. 1), pull each battery pack away (Figure 28, pos. 2).
4. When the i-mop XXL Pro isn't used regularly, store the charged battery packs
5. Store batteries in a dry, clean place.
6. Make sure the battery packs are charged monthly.

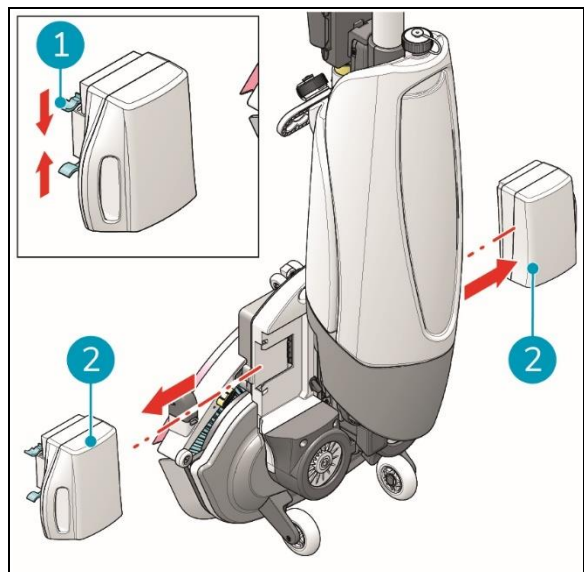


Figure 28

6.3.5 Checking the brushes and squeegee

1. Check to see if both brushes are clean and intact, see section 5.2.2 for removal instructions.
 - Clean them under fresh water or replace them if necessary.
 - Replace brushes if the yellow wear indicator is the same height as other bristles.
2. Check to see if the squeegee is clean and intact, see section 7.2.1 for removal instructions.
 - Clean it with fresh water and wipe it with a clean, damp cloth.
 - Replace the squeegee blades when necessary.



6.3.6 Store in an upright position

1. Please ensure that the i-mop® XXL Pro is stored in a place where nobody can bump into it.
2. Put the i-mop XXL Pro in store position, see section 4.2.
3. Store the i-mop XXL Pro close to a wall (Figure , pos. 1) with the handle pointing towards the wall and the brushes facing away from the wall.

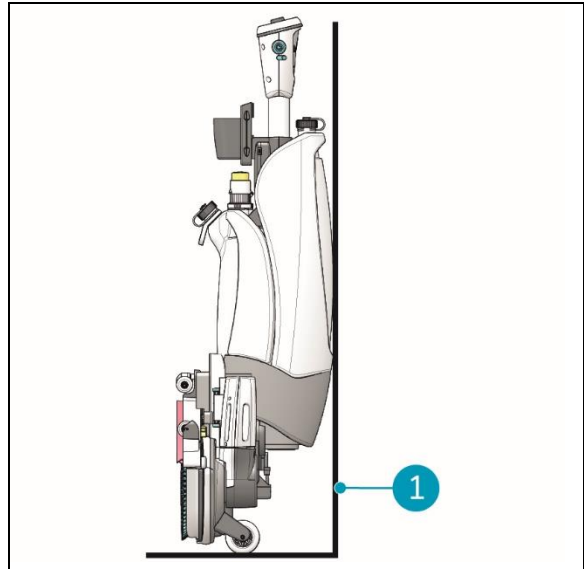


Figure 37



7 Maintenance



CAUTION

Remove the battery before executing any cleaning or maintenance task.



CAUTION

Always keep the body of the i-mop® XXL Pro in an upright position when replacing the brushes or the squeegee.



CAUTION

Always wear rubber gloves when carrying out maintenance tasks.

7.1 Brush replacement

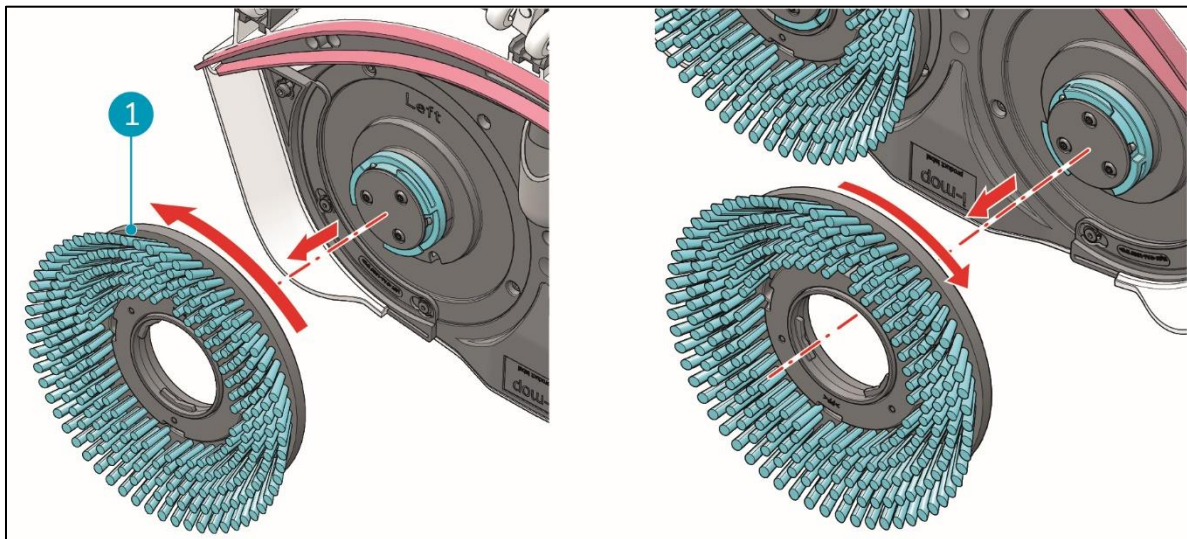


Figure 38

The brushes are attached to the scrub deck with a bayonet fitting.

1. Put the i-mop XXL Pro in store position, see section 4.2.
2. Hold the scrub deck firmly with one hand.
3. Using your other hand to turn the left brush (Figure , pos. 1) counterclockwise until you feel resistance or see the motor disk turning as well.
4. Pull the brush towards you, off the motor disk.
5. Turn the right brush clockwise until you feel resistance or see the motor disk turning as well.
6. Pull the brush towards you, off the motor disk.
7. Visually inspect the motor disks.
8. Clean the i-mop XXL Pro scrub deck with a clean, dry cloth before you install the brushes.



7.2 Squeegee replacement

The squeegee blades come in pairs and wear out over time. When you notice the floor is no longer being dried properly, replace the squeegee blades.

7.2.1 Detaching the squeegee

1. Put the i-mop® XXL Pro in store position, see section 4.2.
2. Hold the scrub deck firmly with one hand.
3. Pull on the left side of the squeegee to remove it (Figure 29, pos. 1).
4. Pull on the right side of the squeegee to remove it (Figure 29, pos. 2).
5. Remove the vacuum hose from the squeegee by twisting the hose.

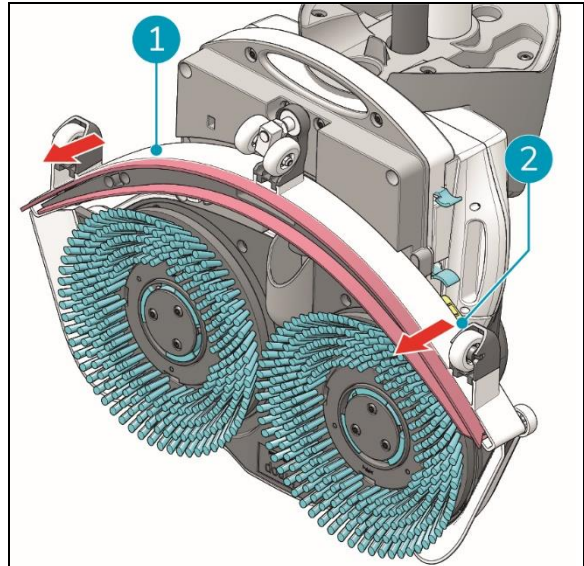


Figure 29

7.2.2 Flipping/replacing the squeegee blade

1. Gently pull down the squeegee blade unit from the scrub deck.
2. When the unit has been removed from the scrub deck, press simultaneously the two black knobs on the top of the squeegee-unit (Figure 30, pos. 1). The squeegee blades holder will detach from the squeegee blade unit. Now the squeegee blades are exposed.

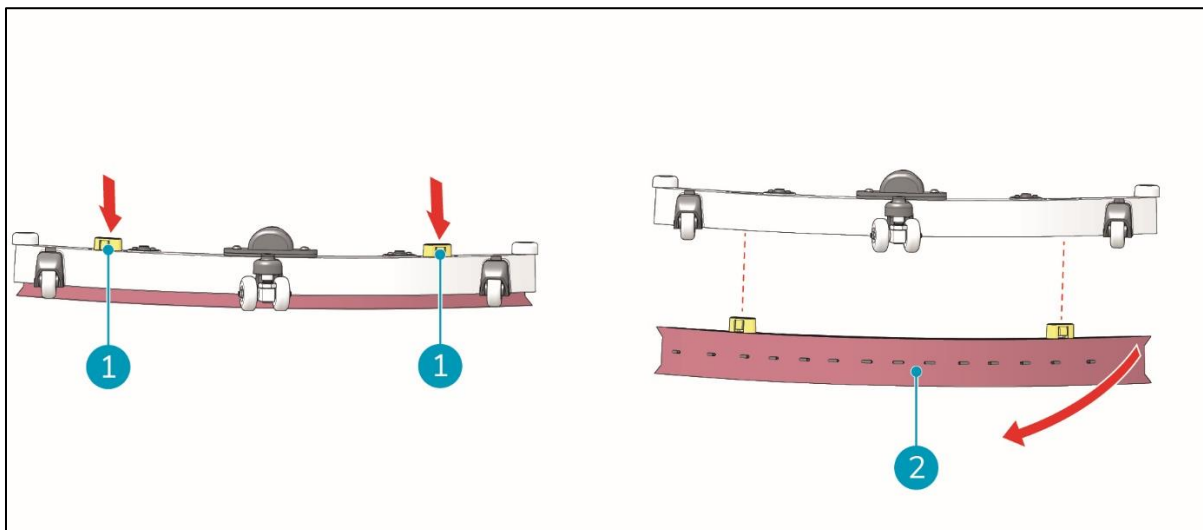


Figure 30

3. Pull the front and rear rubber squeegee blades from the metal nobs of the holder (Figure 300, pos. 2).
4. Inspect the front and rear rubber blades:



- The first time: flip the blades so the top of the blade is now facing the floor. Push the front plate screws through the holes.
- The second time: attach a new set of blades. Push the front plate screws through the holes.



CAUTION

The special squeegee blades that contain small arrow-like shapes cannot be switched. These need to be replaced every time.

5. Replace the rubber squeegee blade with a new one, (Figure , pos. 2). Fix it onto the holder by pressing it gently on the metal nobs of the holder, (Figure , pos. 1).

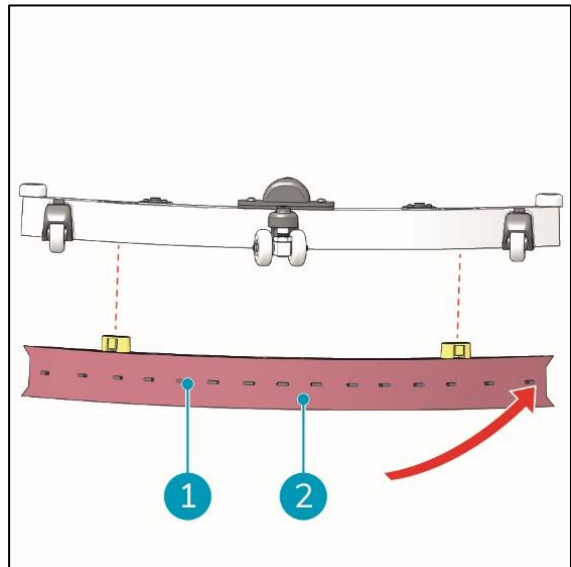


Figure 41

6. Carry out the previous step for the other squeegee blade.
7. Put the squeegee blade holder back into the squeegee blade unit.



ATTENTION

Align the nobs on the squeegee blades holder with the notches in the squeegee blade unit.



7.2.3 Attaching the squeegee

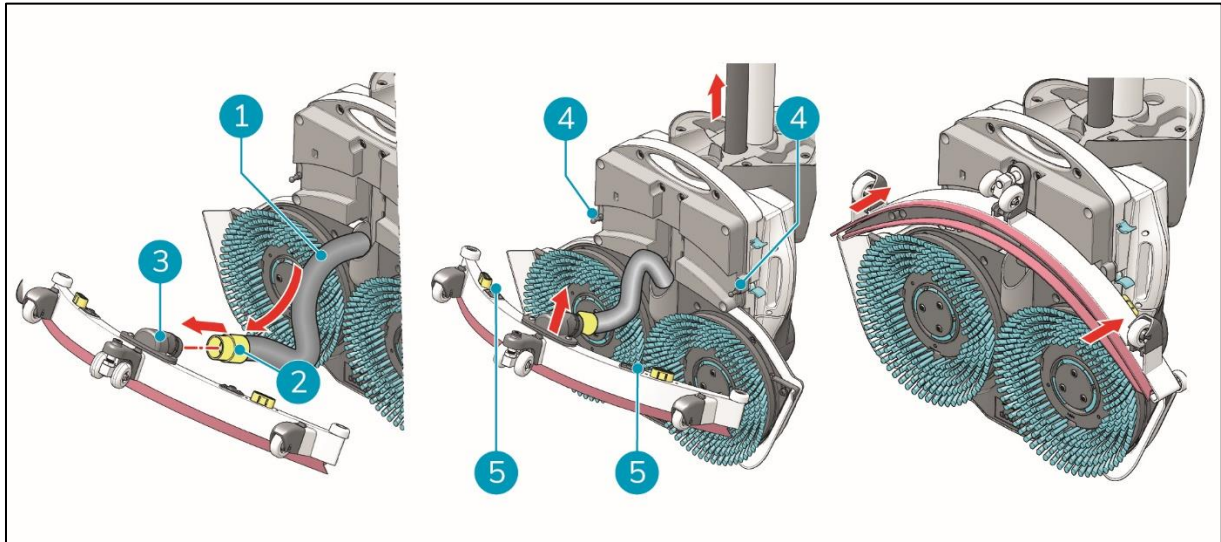


Figure 42

To attach the squeegee:

1. Take the vacuum hose (Figure , pos. 1).
2. Insert the hose connector (Figure , pos. 2) in the squeegee (Figure , pos. 3).
3. Twist the hose connector 1/4 turn counterclockwise for a firm fit (Figure , pos. 2).
4. Carefully pull the vacuum hose back into the machine.
5. Hold the scrub deck firmly with one hand.
6. Align the pins on the scrub deck (Figure , pos. 4) with the holes on the squeegee (Figure , pos. 5).
7. Push the left side of the squeegee in place.
8. Push the right side of the squeegee in place.

7.3 Replacing the vacuum hose

1. Detach the squeegee as described in 7.2.1.
2. Remove the solution tank. You can see where the vacuum hose is connected at the i-mop® XXL Pro handle.
3. Hold the scrub deck firmly with one hand.
4. Detach the vacuum hose by twisting the connector 1/4 turn clockwise.
5. Now you can carefully pull the vacuum hose from the top of the machine.
6. Guide the new vacuum hose via the opening to the hose connector located at the i-mop XL Pro handle.
7. Connect the top to the hose connector by twisting it clockwise 1/4 turn until they have lined up.
8. Reinstall the squeegee.



7.4 Replacing the wheels

The squeegee unit of the i-mop XXL comes with three supporting wheels. These wheels are placed in a small plastic support bracket. To replace the wheels:

1. Press the catch on top of the squeegee unit towards the wheel. By doing so the catch of the wheel bracket will be released.
2. Slide the wheel bracket off the squeegee unit (Figure).
3. Replace the bracket with a new one and push it back onto the squeegee unit.

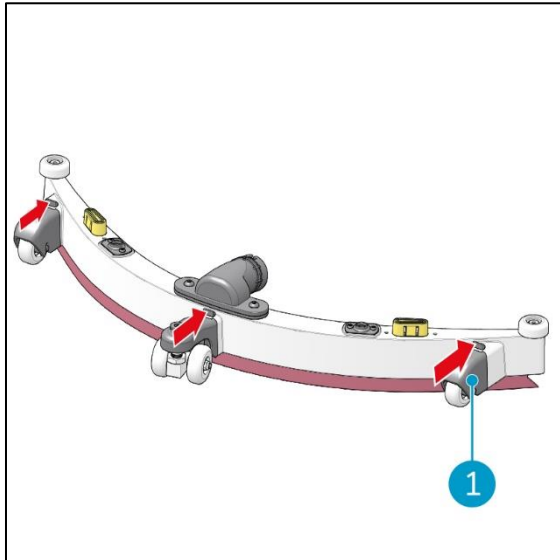


Figure 43

It is possible to replace all three wheels units by swivel wheels. Doing so will make controlling the i-mop more difficult. Exchanging all wheels with swivel wheels is only to be done for floor restorations.



CAUTION

If all wheel units are replaced with swivel wheels, the suction function of the i-mop should not be used. The i-mop will difficult to guide and the water will not be pushed under the squeegee.



ATTENTION

The i-mop XXL Pro comes with standard nylon wheels. Depending on the environment where the i-mop XL Pro is going to be used the nylon wheels can be replaced by metal ones.

7.5 Replacing the splash guards

The splash guards are fitted on a plastic holder. The splash guards are to be replaced approximately once every two years. To replace the splash guard:

1. Remove the brushes as indicated in section 5.2.2.
2. Press the plastic holder including the splash guards can be detached by pressing it downwards, away from the center of the brushes.



3. Replace the plastic holder with splash guard with a new one and fit it back onto the deck.
4. Fix the brushes back as indicated in par 5.2.2.

7.6 Recommended additional cleaning

Clean the exterior of the i-mop® XXL Pro weekly with a non-abrasive, non-solvent cleaner or a clean, damp cloth. To clean the scrub deck, remove the brushes.

7.7 Recommended service time

Service must be done by one of our service partners. The first service is recommended after 200 hours. It is recommended to schedule a full service every 500 hours.

Check the operating hours on a regular basis in i-link, via: ilink.i-teamglobal.com. For more information see the i-link manual.

7.8 Accessories

The i-mop XXL Pro can be equipped with different brushes and polishing pads. The use of these accessories is only allowed by experienced and trained operators as some polishing pads can be abrasive and can cause damage to the floor surface when applied incorrectly. For more information please contact our sales department, or the partner who provided the i-mop XXL Pro.



8 Troubleshooting

Problem	Cause	Solution
No power	No batteries	Insert batteries
	Empty batteries	Charge batteries
	Batteries incorrectly placed	Remove and reinstall batteries
Insufficient/no water flow	Wrong program	Check the operating mode on the control panel
	Eco mode on	Check the ECO mode light on the control panel
	Empty tank	Fill the tank
	Tank incorrectly placed	The tank valve must be clicked on the nipple to open the seal, replace the tank
	Filter blocked	Ensure the solution tank has no dirt particles and the filter is clean
	Blocked water pipe	Request for service
Poor water recovery	Squeegee opening blocked	Remove the pipe and clean the squeegee opening
	Tears in squeegee blades	Replace squeegee blades
	Filter blocked	Check the yellow filter and clean if necessary
	Vacuum hose blocked	Check and remove blockage
	Vacuum pump not running	Request for service
Leakage	Tanks incorrectly placed	Check and reattach fluid tanks
	Tear in vacuum hose	Replace vacuum hose or request for service
Battery not charging	Battery is at end of life	Replace battery
Charger not charging		Request for service
Angle warning indicator led blinking		I-mop can still be used. After 15min the i-mop should be re-started



8.1 Report problem via i-link®

1. Scan the QR code on the device with a phone or tablet.
2. The i-link QR landing page will open.
3. Click “Report a problem” and report the problem.



9 Decommissioning and disposal



ATTENTION

It is the responsibility of the i-mop® XXL Pro owner to dispose of the product responsibly.

After decommissioning, the i-mop XXL Pro still contains valuable resources and needs to be disposed of according to your local laws and regulations regarding recycling of electrical equipment.



Before disposal please:

1. Flush the machine, see section 6.3.1.
2. Remove the batteries for separate disposal, see section 0.

TIP:

Alternatively, keep the batteries for use in another piece of i-team equipment.

3. Remove all loose components like brushes, tanks and squeegee.
4. Dispose all items according to your local laws and regulations.



10 Attachments

10.1 CE Certificate

C E R T I F I C A T E		 TÜVRheinland®
of Conformity		
EC Council Directive 2014/30/EU Electromagnetic Compatibility		
Registration No.:	AE 50408406 0001	
Report No.:	50127657 001	
Holder:	Future Cleaning Technologies (FCT) B.V Hoppenkuil 27A 5626 DD Eindhoven Netherlands	
Product:	Floor Cleaning Machine (i-mop)	
Identification:	XL XXL Serial No.: n.a. Remark : Refer to test report 50127657 001 for details.	
Tested acc. to:	EN 55014-1:2006+A1+A2 EN 55014-1:2017 EN 55014-2:1997+A1+A2 EN 55014-2:2015	
<p>This certificate of conformity is based on an evaluation of a sample of the above mentioned product. Technical Report and documentation are at the Licence Holder's disposal. This is to certify that the tested sample is in conformity with all provisions of Annex I of Council Directive 2014/30/EU. This certificate does not imply assessment of the production of the product and does not permit the use of a TÜV Rheinland mark of conformity. The holder of the certificate is authorized to use this certificate in connection with the EC declaration of conformity according to the a.m. Directive</p>		
Date <u>20.06.2018</u>	 Dono Zhou	
TÜV Rheinland LGA Products GmbH - Tillystraße 2 - 90431 Nürnberg		
 The CE marking may only be used if all relevant and effective EC Directives are complied with. 		

1000012 04.08 © TÜV, TÜV and TÜV are registered trademarks. Issuance and application requires prior approval.



10.2 The i-Story

It's not just about cleaning machines.

It's about the well-being of people and the planet.

We are stoked about cleaning, thrilled about sustainability and wholeheartedly dedicated to keep on innovating.

We believe effective cleaning is more than just the removal of soil. It means ensuring the health and safety of people, while making the job easier, simpler, more efficient and even fun. It means consistent results all over the world, while protecting the world. And it means creating partnerships to grow our global force for better cleaning. After all, it takes a team.

The i-team.

Made Blue

By operating i-mops, your partners, clients and users lower the water footprint whilst contributing positively to the availability of water in the world. Every day an i-mop is turned on, Made Blue simultaneously ensures someone else on the planet gets access to clean water. For every liter that the i-mop uses in operations, the i-team and Made Blue mirror clean drinking water in a developing country. The planet is a beautiful place with over 7 billion people. Humans need water to live, breathe and enjoy their lives. Worldwide 2,7 billion people suffer from a shortage of drinking water. For 780 million people this situation is permanent each year 3,5 million people die because of this. That's why Made Blue invests in projects in developing countries. We are a proud partner of Made Blue. Made Blue mirrors the water used by i-team to create clean water in developing countries. 1 liter for 1 liter.



MADE BLUE



Access to clean water for All.



i-team Professional b.v.

Hoppenkuil 27b, 5626 DD Eindhoven, The Netherlands

Telephone: +31402662400

Email: hello@i-teamglobal.com

Internet: www.i-teamglobal.com

