

i-gum[®]

Portable battery chewing gum removal system

User manual



i-team Professional b.v.

Hoppenkuil 27b, 5626 DD Eindhoven, The Netherlands

T +31402662400

E hello@i-teamglobal.com

I www.i-teamglobal.com





Original user manual, written in the English Language
Future Cleaning Technologies B.V.
Hoppenkuil 27b, 5626 DD Eindhoven, The Netherlands

T +31402662400

E hello@i-teamglobal.com
I www.i-teamglobal.com

Model: I-GUM BATTERY VERSION

Date: 11/12/2019

Product code: IGM.I-V.0000B/2

Version: v.1.0



Preface

Thank you for purchasing the i-gum[®] chewing gum remover: the powerful easy to use tool that can eliminate your sticky problems in a matter of seconds. Removing patches of chewing gum has never been easier. The i-gum[®] requires no dangerous chemicals, instead it uses a specialized water-based gum remover solution in the form of steam to break down the chewing gum. The gum remover solution is environmentally friendly, and it leaves no stains or residue. The cleaning does not require scrubbing, just a light agitation in a circular motion is all it needs. The chewing gum breaks down and dissolves away after 6 to 10 seconds. This makes the i-gum[®] chewing gum remover fast, safe, green and clean.

The i-gum[®] is easy to use when you follow the instructions. Please read the user manual carefully. Become familiar with the correct operation and maintenance procedures. Store the manual in a safe place. The manual is an essential part of the i-gum[®] and must be handed over to the new owner upon resale or exchange. Each i-gum[®] has a unique identification number that can be found on top of the main body. Your i-team partner needs this number when you order parts.

When this manual refers to “the manufacturer” this means: Future Cleaning Technologies B.V., an affiliate company of i-team in Eindhoven, the Netherlands. When this manual mentions “the partner” your local i-team resell and support service partner is referred to.

Purpose of the user manual

The purpose of the user manual is to provide the user with information during the life of the i-gum[®] in such a way that the i-gum[®] is used correctly, efficiently and safely, even in the event of reasonably foreseeable misuse.

The user manual contains instructions regarding:

- Personal operator safety
- Intended and non-intended use of the i-gum[®]
- Instructions for daily use
- Maintenance instructions
- Storage conditions
- Disposal of the i-gum[®]

These instructions must be considered to avoid risks that could lead to physical and/or material damage.

Target audience

This user manual is intended for operators of the i-gum[®] and their supervisors, as well as partners and importers.

Operators of the i-gum[®]










The i-gum[®] may only be operated by a person who:

- has correctly read and understood the instructions in this manual.
- is trained by an experienced operator who has read and understood the instructions in this manual.



Reading guide

The following symbols and terms are used throughout this manual to alert the reader to safety issues and important information:

Symbol	Term	Explanation
	WARNING	Indicates a hazardous situation which, if the safety instructions are not followed, can lead to injuries of the operator or bystanders, light and/or moderate damage to the product or the environment.
	CAUTION	Indicates a hazardous situation which, if the safety instructions are not followed, can lead to light and / or moderate damage to the product or the environment.
	STRONG MAGNET	Indicates the machine contains strong magnets. These can cause pacemakers to stop or cause electronic data to be damaged, for instance on information stored on access passes.
	PACEMAKER	Indicates operators and maintenance crew wearing pacemakers should keep a minimal distance of 6 inch/15 cm. In this specific case operators may not use the machine as a backpack.
	BATTERIES	Indicates a battery-operated machine, batteries must be charged according to the instructions in the separate Class I Battery Charger user manual. Batteries must be disposed of according to your local laws and regulations.
	PROTECTIVE EYEWEARE	Indicates protective eyewear is advised, for instance when filling the machine with cleaning solution.
	WASH HANDS	Indicates the operator is advised to wash their hands, for instance after filling and/or draining the cleaning solution.
	HOT SURFACE	Indicates hot surfaces of parts of the machine. Hot surfaces can cause burns in contact with skin over longer time.
	SLIPPERY SURFACE	Indicates the machine can cause floors to become slippery. Marking the workplace with slippery surface signs is advised.



Content

Preface	3
Purpose of the user manual	3
Target audience	3
Operators of the i-gum®	3
Reading guide.....	4
1 Introduction.....	7
1.1 Intended use of the product.....	7
1.2 Non-intended use of the product.....	8
1.3 Lifespan.....	8
1.4 Modifications.....	8
1.5 Specifications.....	9
1.6 Warranty.....	10
1.7 Identification	10
2 Description	11
3 Safety.....	13
3.1 General Safety Instructions	13
3.1.1 Trolley operation	13
3.1.2 Backpack operation.....	14
3.1.3 Brush condition	14
3.1.4 Machine orientation.....	14
3.1.5 Strong magnets	14
3.1.6 Batteries	14
3.2 Risks during operation.....	15
3.2.1 Careful hot surface	15
3.2.2 The gum remover solution	15
3.2.3 Personal protection.....	15
3.2.4 Mark the job site	15
4 Transport and storage	16
5 Assembly and installation.....	17
5.1 Unboxing.....	17
5.2 Assembly.....	18
5.3 Trolley or backpack operation	19
5.3.1 Trolley operation	19
5.3.2 Backpack operation.....	21
6 Operation	22
6.1 Before you start.....	22
6.1.1 Insert the batteries.....	22
6.1.2 Fill the gum remover solution tank	23



6.1.3	Cleaning fluid low level indication.....	23
6.2	Dry start.....	23
6.3	Trolley operation.....	24
6.3.1	Adjust pump speed.....	26
6.3.2	After operation.....	26
6.4	Backpack operation.....	27
6.4.1	Adjust pump speed.....	29
6.4.2	After operation.....	29
6.5	Cleaning and storage.....	30
6.5.1	Drain the machine.....	30
6.5.2	Rinse the machine.....	31
6.5.3	Remove the batteries.....	32
6.5.4	Storage.....	32
7	Maintenance.....	33
7.1	Brush replacement.....	33
7.2	Recommended additional cleaning.....	33
7.2.1	Clean with water.....	34
7.2.2	Drain the machine.....	35
7.2.3	Rinse the machine.....	36
7.3	Recommended service time.....	36
8	Trouble shooting.....	37
9	Decommissioning and disposal.....	38
10	Attachments.....	39
10.1	CE Certificate.....	39
10.2	Safety data sheet gum remover solution.....	40



1 Introduction

The i-gum[®] is an easy and safe machine to use, this manual helps you get started and explains the operation and maintenance procedure. You will be surprised how fast and effective the i-gum[®] is, only a few seconds per gum patch are needed. The actual time depends on the age of the chewing gum patch, the surface as well as the ambient temperature.

The i-gum[®] B is the battery-operated version. The batteries used in the i-gum[®] are the same as a variety of battery powered i-team products, like the i-mop[®]. The batteries must be fully charged before use. Please refer to the user manual of the Class I Battery Charger for correct procedure.

This manual is intended for those who work with the i-gum[®] and perform daily maintenance. The manual must be read in full before the first actions. This manual describes the correct method of use, safety measures, maintenance and transport. And finally, the manual contains information about the consumables:

- the gum remover solution,
- the brushes.

i-team continuously improves all their products based on user experience and feedback. Any deviations between the texts and/ or images from the manual and your i-gum[®] can therefore arise from the difference in model or from possible changes due to continuous development and innovation.

1.1 Intended use of the product

The i-gum[®] is a specialized machine for chewing gum removal on floor surfaces only. You can use the i-gum[®] as a trolley or carry the lightweight main body as a backpack, using the harness (see Figure 1 below).



Figure 1

The solution can cause floors to become slippery; it is advised to mark the floor of the job site to warn people. (Please note: the wet floor sign is not part of the i-gum[®] system delivery).



In order to use the i-gum[®] on hard (outdoor) as well as soft (indoor) surfaces, both steel and nylon brushes are provided. These brushes are easy to replace. Select the right brush for each job, see Table 1 below.

Steel brush

Concrete, tarmac, asphalt, hard brick paving, natural stone.

Nylon brush

Sandstone, soft brick paving, wood, carpets.

Table 1

The gum remover solution will not leave marks; however, it is known in some isolated cases the heated steam will affect the varnish of wooden floors and can create a dull spot. When not sure about the surface: always use the nylon brush and try-out the i-gum[®] in a discrete place.

1.2 Non-intended use of the product



WARNING

Non-intended use can have consequences for the safety of operators and bystanders and will void the warranty on the product.

The i-gum[®] is not intended to remove anything else than chewing gum patches on floors. It is only effective using the specialized water based i-gum[®] gum remover solution. Filling the tank with clear water will not remove gum patches and therefore is pointless.

The steam lance may not be raised higher than horizontal during operation as the hot cleaning fluid can cause burns (see Figure 1).

DO NOT fill the i-gum[®] with any other detergent. Alternative products will void the manufacturer's warranty, more importantly they may also cause serious harm to the operator. For instance, as the fluid is heated to steam any alcohol-based detergent can catch fire, other products might cause toxic fumes. **ONLY** use the specialized water based i-gum[®] gum remover solution or other solutions provided by the manufacturer.

1.3 Lifespan



CAUTION

To ensure proper and safe operation throughout the life of the i-gum[®], the i-gum[®] must be checked every 60,000 minutes by an authorized i-team partner.

The main control panel on the side contains a counter that indicates the number of minutes the machine is used.

1.4 Modifications

It is not permitted to make modifications to the design of the i-gum[®] without consultation and permission from the manufacturer. This affects the warranty, see section 1.6.



1.5 Specifications

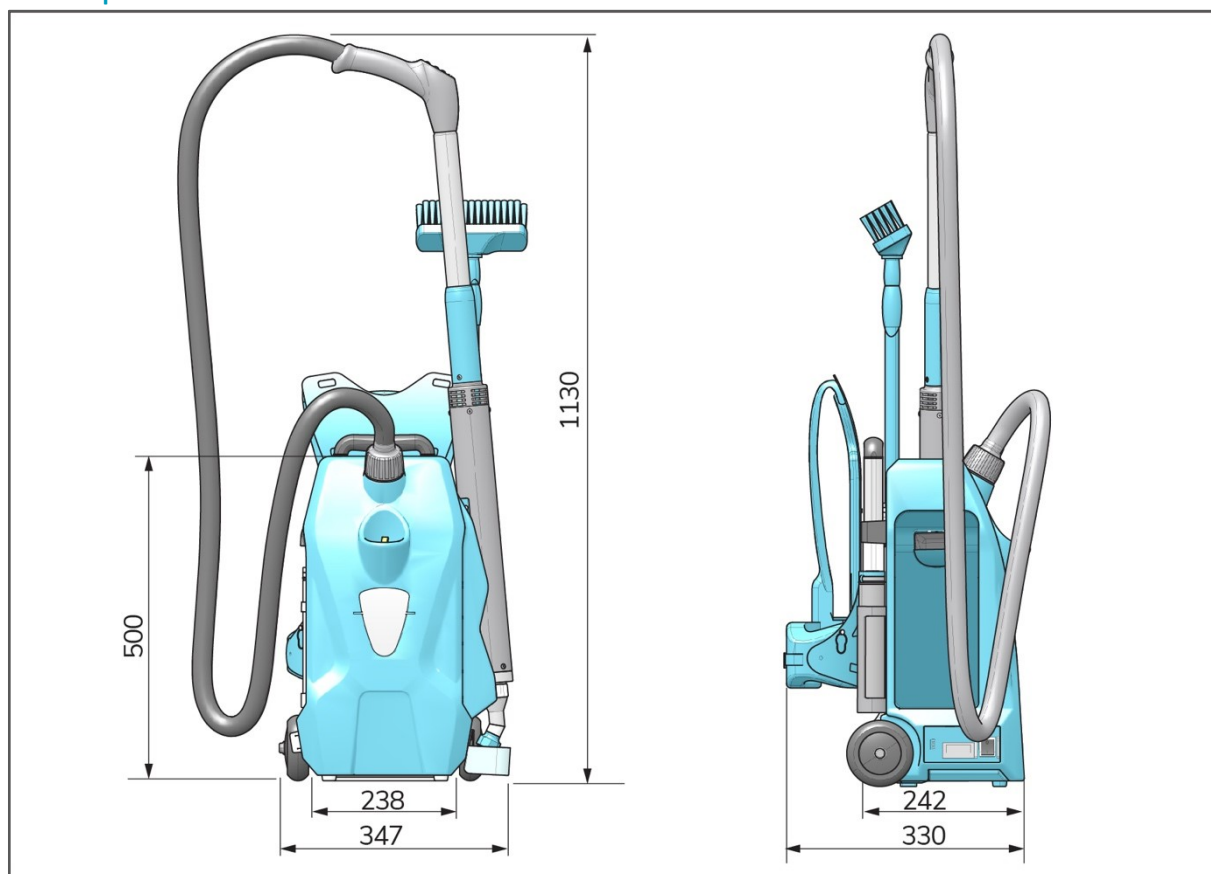


Figure 2

Product Size (body unit):	347*330*500 mm
Lance Size:	60*1100 mm
Weight (including 1 battery):	10.5 kg
Lance Weight:	1.6 kg
Broom Extended Length:	1.3 M
Li-on Battery:	DC24V (25.2V, 14Ah, 353Wh)
Battery Drawer Capacity:	2 Batteries
Operation Time of Batteries:	About 50 min/ 1 battery
Fluid Flow Speed Class	Low, High
Tank Capacity:	2.5 L
Fluid Heater:	DC 24V, 250 W
Vibration:	$\leq 0,25 \text{ m/s}^2$
Noise level:	$< 55.4 \text{ dB(A)}$
Control Panel in Handle:	YES
Trolley Handle:	YES
Transport Wheel:	YES
Backpack for Body Unit:	YES
Fluid Shortage Warning:	YES



1.6 Warranty

The i-gum[®] should only be operated with the materials supplied. Using alternative supplies may cause damage to the i-gum[®] and may cause a risk to the operator. The use of alternative supplies voids manufacturer's warranty.

1.7 Identification

Each i-gum[®] has a unique identification number that can be found on top of the main body. Your i-team partner needs this number when you order parts.

Explanation type plate:



Product type: i-gum[®] B

Serial number: B0000492

Power supply and capacity: DC24V 250W

Manufacturer: Future Cleaning Technology B.V.

Country of assembly: PRC

Figure 3



2 Description

The compact lightweight i-gum[®] consists of two main parts:

1. The body that contains the cleaning solution and can be carried as a backpack.
2. The steam lance to deliver the heated gum cleaner solution exactly on the gum patch.

The brush attached to the steam lance is not intended for scrubbing, only a light agitation is needed. The heated solution will break down the chewing gum in a matter of seconds. A broom is provided to sweep away the gum residue.

The i-gum[®] consists of:

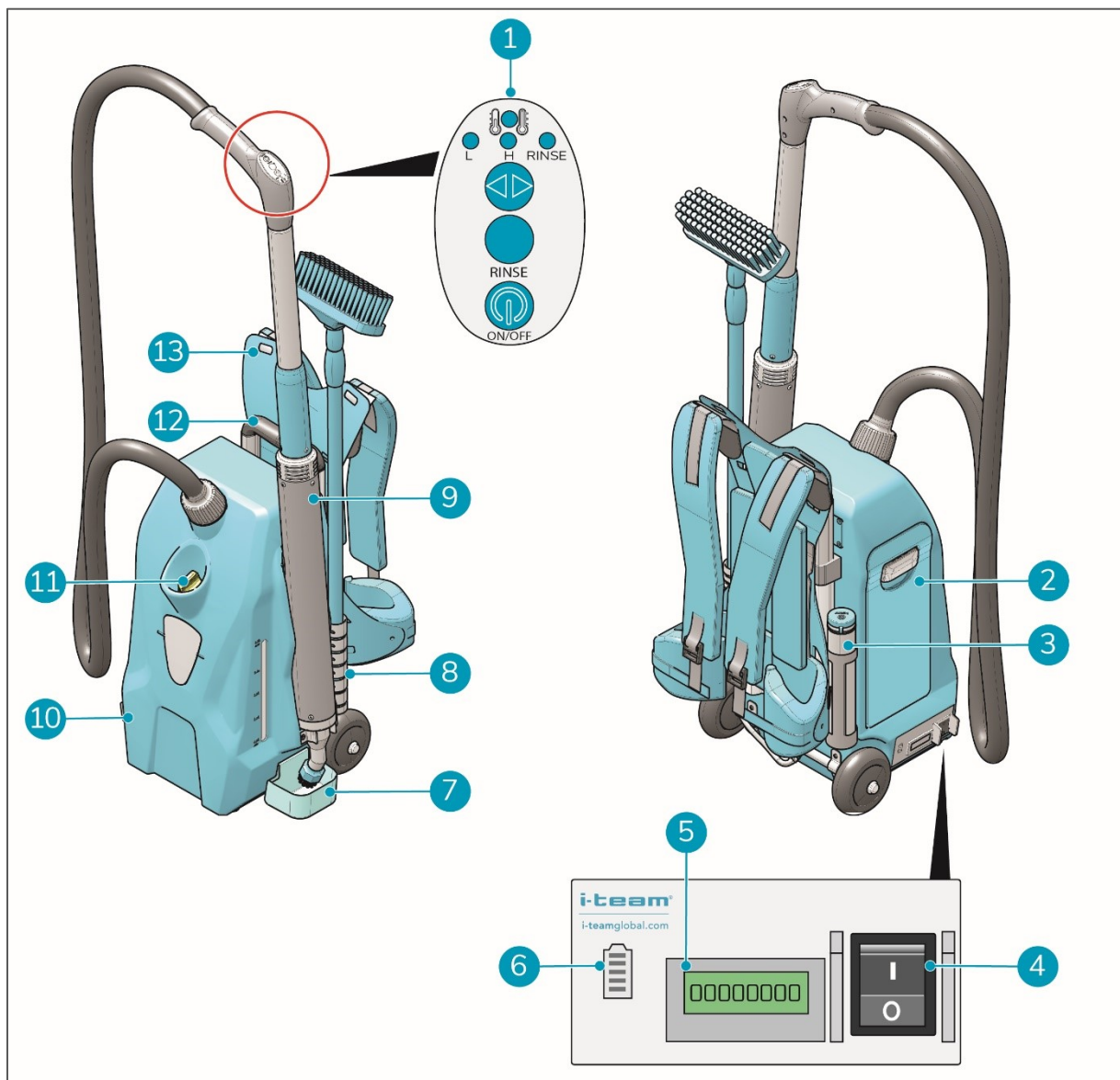


Figure 4



1. The control panel to use during operation.
2. The battery holder containing one or two batteries.
3. A brush storage tube to store spare brushes.
4. The main power switch.
5. A counter showing the number of minutes the machine is used.
6. A battery power indicator.
7. A drip tray to avoid spillage.
8. A broom and broom holder to sweep the gum residue.
9. The steam lance with separate brush, connected to the body.
10. The main body.
11. The gum remover solution tank sealed by a yellow stopper.
12. Wheels and a handle to use the i-gum[®] as a trolley.
13. The back plate and harness to use the i-gum[®] as a backpack.



3 Safety

Safety comes first, therefore please take time to read and understand these safety instructions. Improper use can cause harm or void the manufacturer's warranty.

3.1 General Safety Instructions



WARNING

The functional part of the i-gum[®] consists of a steam lance and brush. The steam lance is insulated, however the grey part (fig 5, pos 1) should not be touched. The temperature stays well below 60°C.



CAUTION

Always keep the body of the i-gum[®] in an upright position when gum remover solution or batteries are inserted.

3.1.1 Trolley operation



CAUTION

When using as a trolley remove the harness as the machine can trip over loose straps.

It is recommended to keep the steam lance (fig 5, pos 1) stored in its holder when moving to the job site. To avoid heated solution to spill the drip tray (fig 5, pos 2) must be attached.

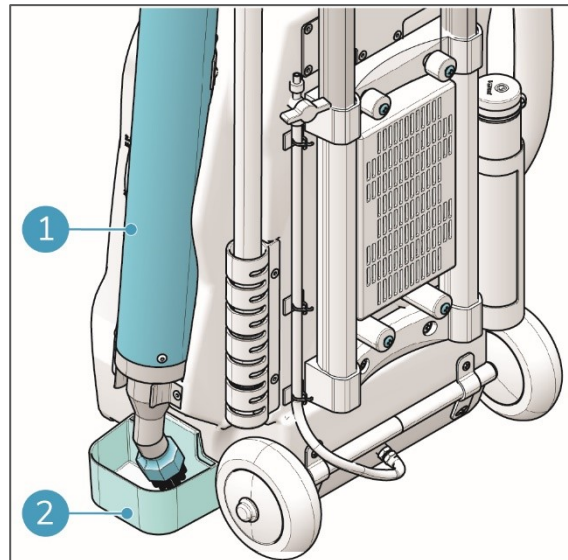


Figure 5



3.1.2 Backpack operation



CAUTION

It is impossible to reach and store the steam lance in its holder when wearing the i-gum® as a backpack. Always keep the lance in your hand when the machine is operational.

When using as a backpack fit the machine to the operator and adjust straps before inserting the batteries or filling the tank with the gum remover solution. Proceed only when the operator is comfortable using the backpack, else use the i-gum® as a trolley.

3.1.3 Brush condition

Make sure to check the condition of the brush before use, change the brush only when the machine is turned off and the steam lance is cooled.

3.1.4 Machine orientation

Always keep the body of the i-gum® in an upright position when gum remover solution or batteries are inserted.

3.1.5 Strong magnets



CAUTION

Please be aware of the integrated magnets that hold the steam lance in its holder.



WARNING

Operators and maintenance crew wearing pacemakers should keep a minimal distance of 6 inch/15 cm. Operators wearing pacemakers should never use the backpack operation mode.

3.1.6 Batteries



CAUTION

During normal operation the 24V batteries cause no safety hazard on their own. Please keep in mind the following safety instructions:

- Do not crush, pierce or damage in any way.
- Do not heat or incinerate.
- Do not short-circuit.
- Do not dismantle.
- Keep the batteries dry.
- Only charge between 5°C~40°C / 41°F~104°F.
- Only use between 5°C~45°C / 41°F~113°F.



3.2 Risks during operation

3.2.1 Careful hot surface



WARNING

Even when the general safety instructions are followed, some small residual risks remain when operating a machine that creates steam.

- **DO NOT** touch the steam lance below the blue handle. The risk of burns is minimal, comparable with a running hot tap.
- **DO NOT** operate barefoot, wear closed shoes while operating the machine.

3.2.2 The gum remover solution



WARNING

The water based i-gum® gum remover solution does not provide significant hazards, however, please be aware of these general safety rules:

- Keep locked up and out of reach of children.
- Keep away from food, drink and animal feedstuffs.
- When swallowed, seek medical advice immediately and show the bottle. **DO NOT** induce vomiting.

3.2.3 Personal protection



CAUTION

Can be irritating to the eyes, wear eye protection and use caution when filling.



CAUTION

Clean your hands immediately after filling or draining the machine.



CAUTION

The water-based cleaning solution is non-corrosive, no special footwear is required. However, the solution is heated to steam and it is recommended to wear closed shoes.

3.2.4 Mark the job site



WARNING

During operation the gum remover solution can cause slippery patches on the floor, it is advised to mark the job site to warn passersby.



4 Transport and storage



CAUTION

Always keep the body of the i-gum® in an upright position when gum remover solution or batteries are inserted.

- Drain the machine and remove the batteries after each use before storage or during transport.
- Store the steam lance in its holder during transport and storage.



5 Assembly and installation

The i-gum[®] does not require much assembly, most importantly you will have to decide how to use the machine: as a trolley or as a backpack using the harness.

5.1 Unboxing

The i-gum[®] is packed in 3 boxes, depending on whether the batteries and charger are ordered together with the main body:

1. The i-gum[®] itself including a starter package of brushes and cleaning fluid.
2. The batteries (when ordered).
3. The battery charger (when ordered).

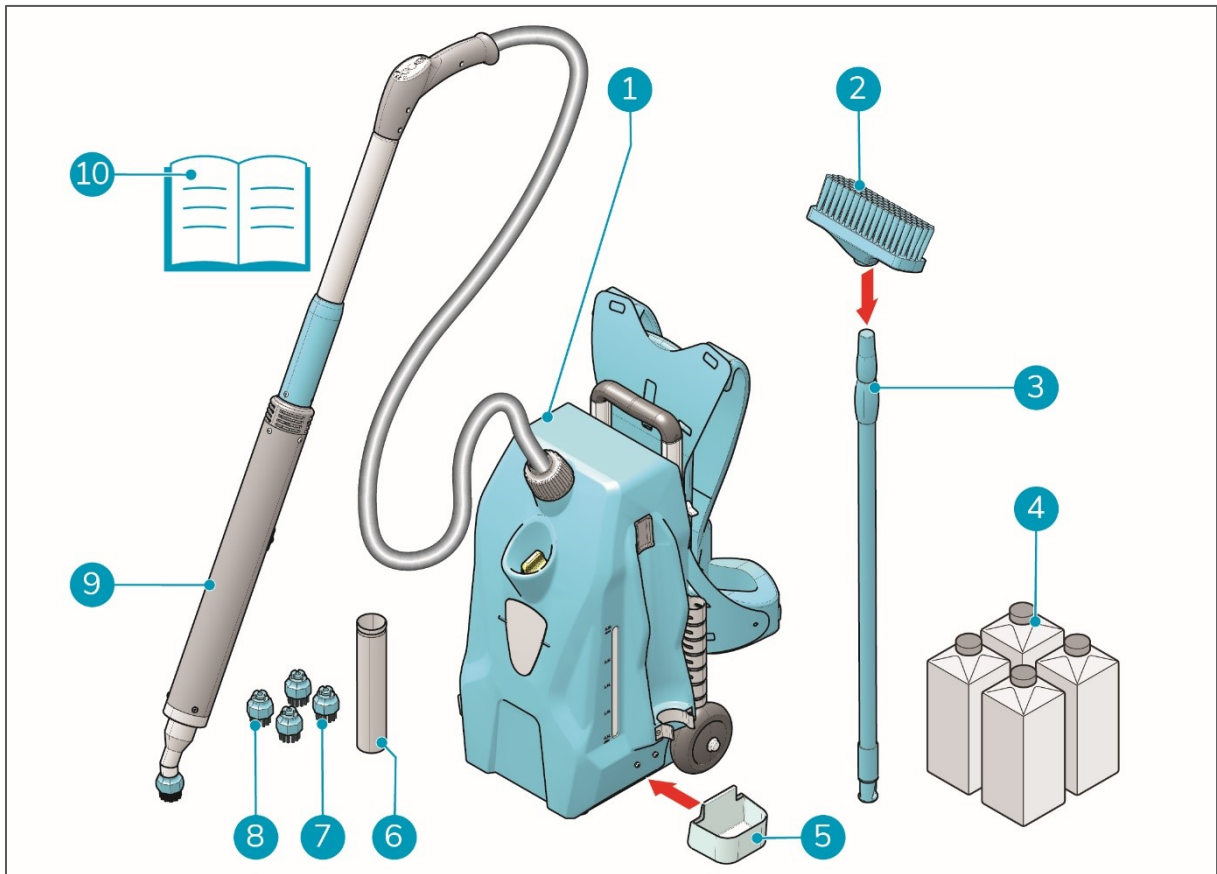


Figure 6

Legend

- | | |
|--|--|
| 1. 1x i-gum [®] main body, harness attached | 6. 1x brush storage tube |
| 2. 1x broom | 7. 2x nylon brushes |
| 3. 1x broom handle | 8. 3x steel brushes, one attached to the steam lance |
| 4. 4x bottles of gum remover solution | 9. 1x steam lance |
| 5. 1x drip tray | 10. This user manual |



5.2 Assembly

1. Attach the drip tray (fig 7, pos 2) to the body.
2. Click the lance (fig 7, pos 1) into the holder (fig 7, pos 3), with the metal plate facing the main body.
3. Screw the broom on the broom handle.
4. Place the broom in the broom holder (fig 7, pos 4).
5. Place the spare brushes in the storage tube (fig 7, pos 5).
6. Place the storage tube into the holder (fig 7, pos 6) on the left side of the main body.

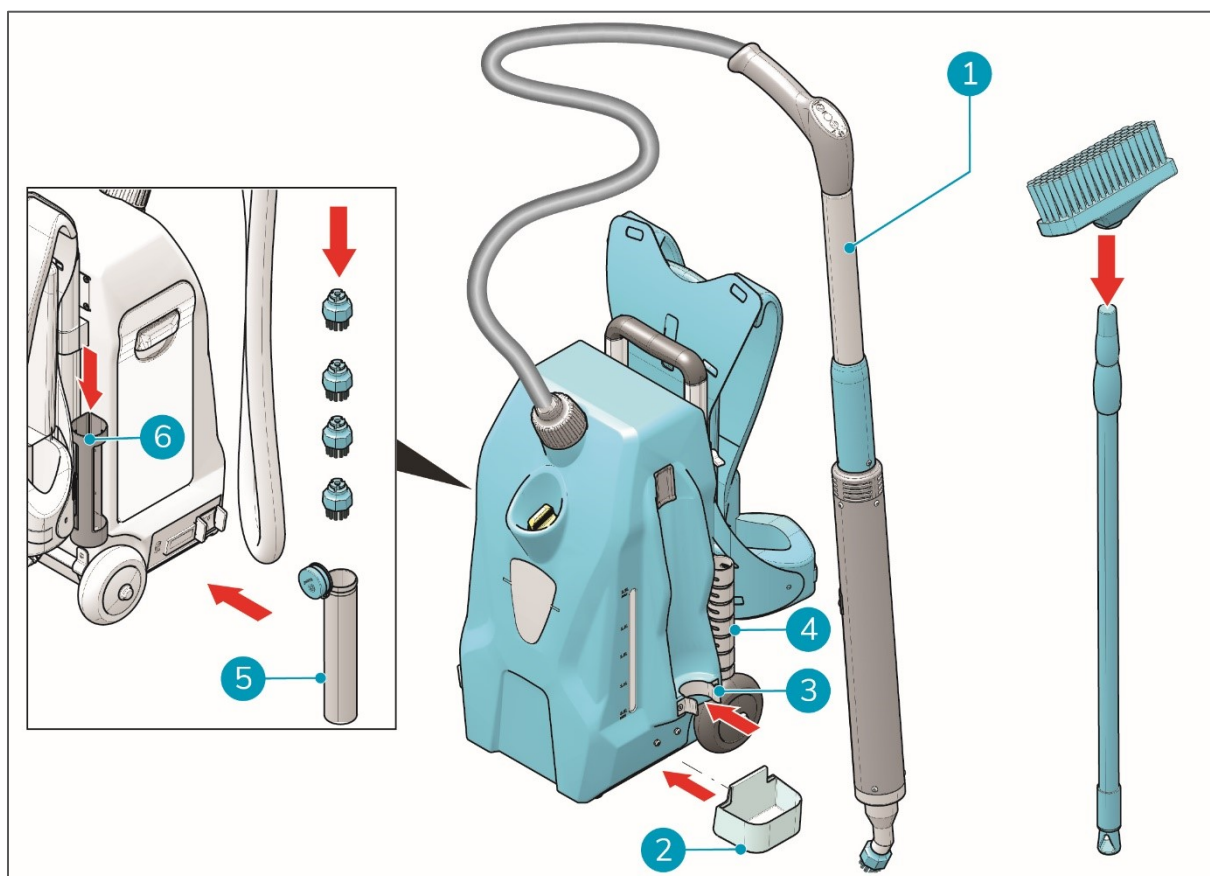


Figure 7



5.3 Trolley or backpack operation

5.3.1 Trolley operation

When you use the i-gum® as a trolley it is advised to remove the harness so loose straps cannot be caught between the wheels. To remove the harness:

1. Remove padding (fig 8, pos 1) that is attached to the back plate with Velcro.

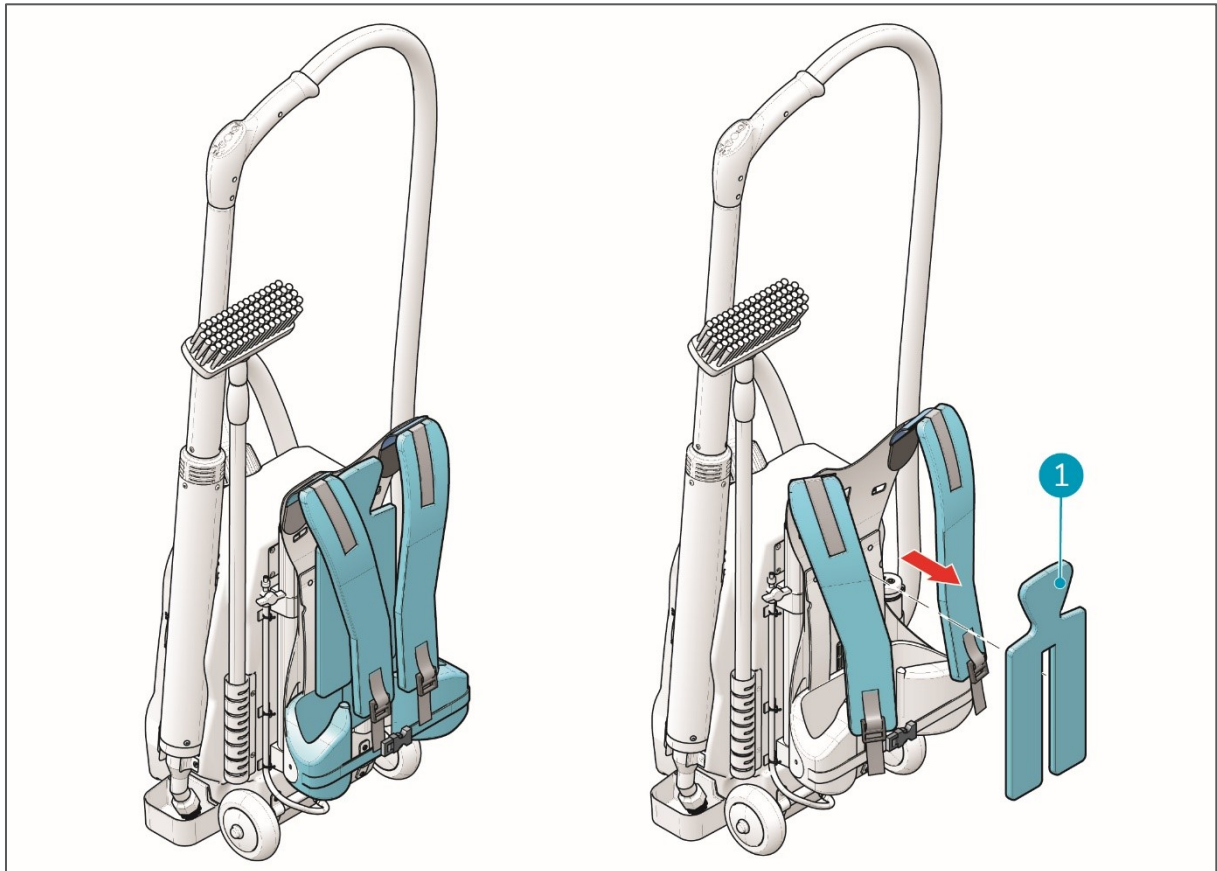


Figure 8



2. Unscrew the four screws (fig 9, pos 1) using a Philips screwdriver.
3. Remove the back plate (fig 9, pos 2).

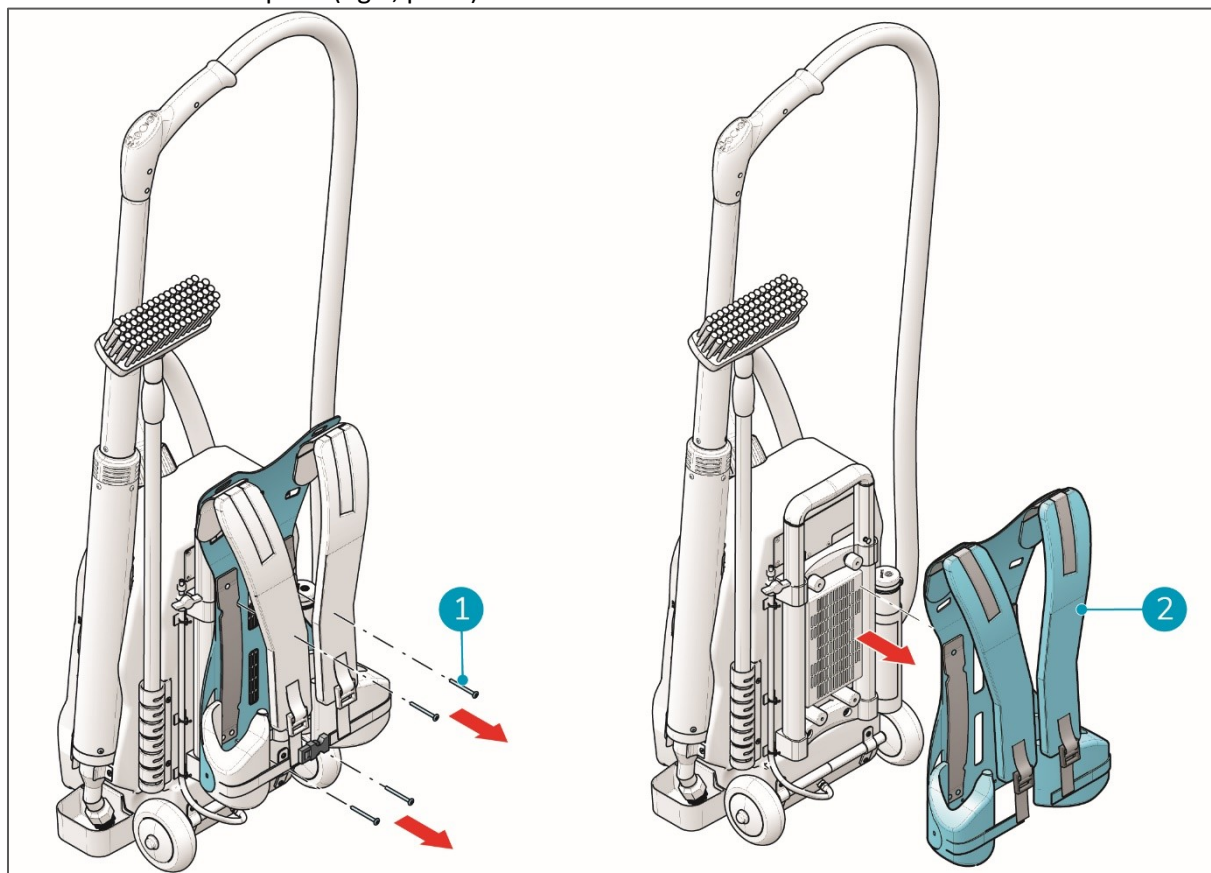


Figure 9



4. Put the four screws back in place, as these also hold the trolley handle (fig 10, pos 1).

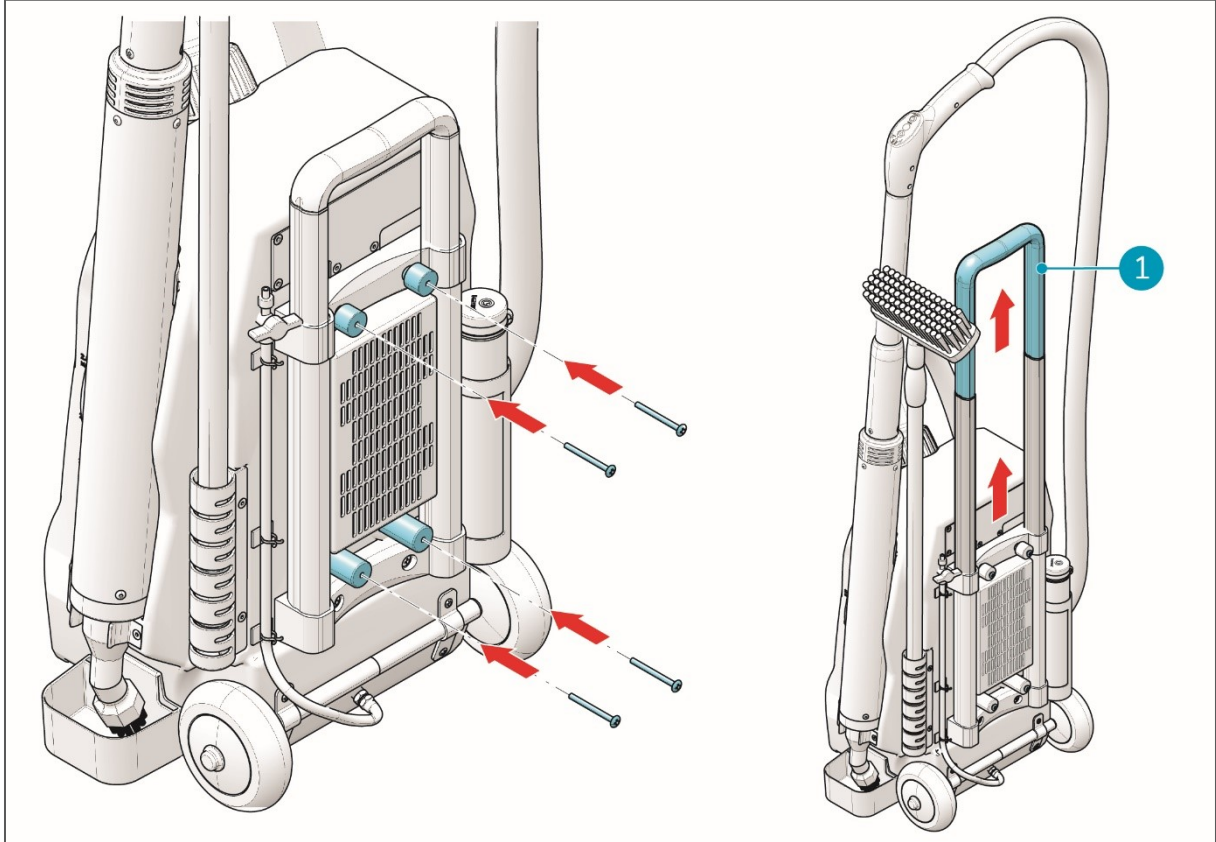


Figure 10

TIP:

Keep all removed parts safely stored for future use.

5.3.2 Backpack operation

When you use the i-gum® as a backpack no further assembly is required.



6 Operation

6.1 Before you start

1. Make sure you have the correct brush for the intended surface.

Steel brush

Concrete, tarmac, asphalt, hard brick paving, natural stone.

Nylon brush

Sandstone, soft brick paving, wood, carpets.

Table 2

2. Check the brush for wear and tear (see chapter 7 for maintenance).

6.1.1 Insert the batteries

1. Open the battery holder (fig 11, pos 2) at the side of the i-gum®.
2. Put the blue coded battery in the blue battery slot at the top (fig 11, pos 1).
3. Put the gray coded battery in the gray battery slot at the bottom (fig 11, pos 3).
4. Close the battery holder (fig 11, pos 2).
5. Turn on the machine using the main switch below the battery holder.
6. Check the battery indicator next to the main switch.
7. Turn off the machine.

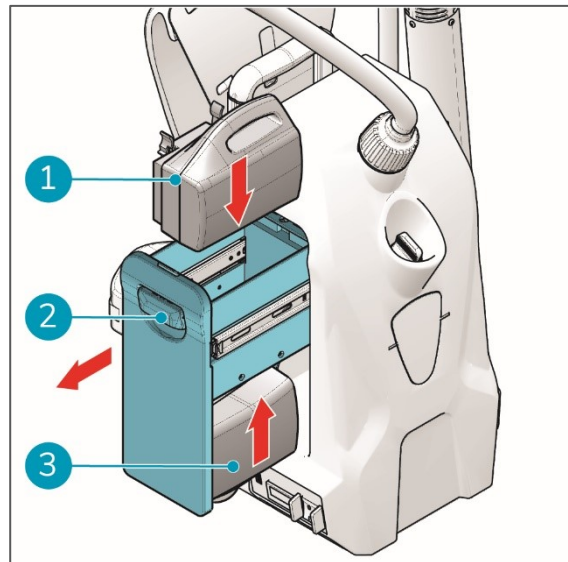


Figure 11

TIP:

It is not recommended to use the batteries when charged less than 40%. The i-gum® can operate on a single battery depending on the amount of gum to remove.



6.1.2 Fill the gum remover solution tank



WARNING

Please proceed carefully, safety glasses are recommended.

1. Remove the yellow stopper (fig 12, pos 1).
2. Pour in the i-gum[®] gum remover solution (fig 12, pos 3) while checking the fluid indicator (fig 12, pos 2) on the side.
3. Replace the yellow stopper (fig 12, pos 1) and make sure it seals tight.
4. Clean your hands afterwards.

Dispose of empty bottles according to your local rules and regulations.

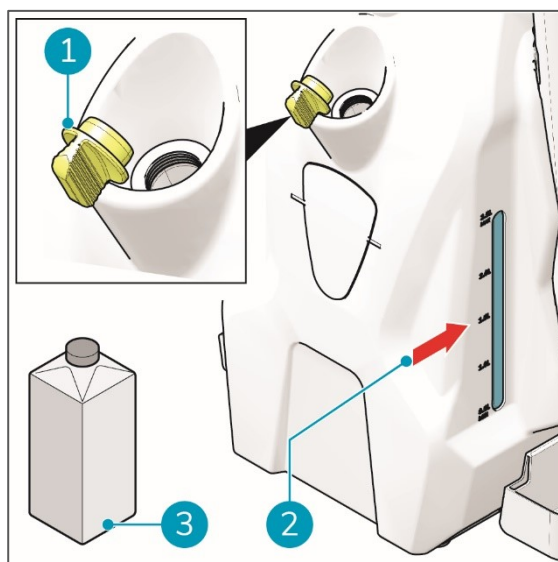


Figure 12

TIP:

Save at least one gum remover solution bottle to drain the machine after use.

6.1.3 Cleaning fluid low level indication

There are two indications of a low level of cleaning fluid during operation.

1. The fluid indicator on the side is illuminated and flashes when level of cleaning fluid is low.
2. When the fluid is low the heater automatically shuts down and the lance starts to cool down. This is indicated by the heater light (fig 13, pos 3) flashing on the control panel.

Turn off the machine via the main power switch (fig 13, pos 2) and refill the gum remover solution tank (see 6.1.2).

6.2 Dry start

When using the i-gum[®] for the first time the machine needs to start-up the pump and fill the pipes with cleaning fluid. This also applies to machines that are rinsed before storage (see 6.5.2 Rinse the machine).

1. Turn on the i-gum[®] using the main power switch on the bottom (fig 13, pos 2) left of the body.
2. Check the power indicator (fig 13, pos 1).
3. Take the lance from the holder.
4. Press the ON/OFF button (fig 13, pos 6) on the handle control.
5. Press the RINSE button (fig 13, pos 5).
6. Hold for 1-minute, this will start the pump.
7. Check the rinse indicator light (fig 13, pos 4).
8. Release the RINSE button (fig 13, pos 5) when rinse indicator light is on.
9. Wait for 20 seconds until steam comes out of the lance. The i-gum[®] is ready for use.
10. Press the ON/OFF button (fig 13, pos 6) on the handle control to turn off the machine, before walking to the jobsite.
11. Proceed with next paragraph: 6.3 Trolley operation or 6.4 Backpack operation.

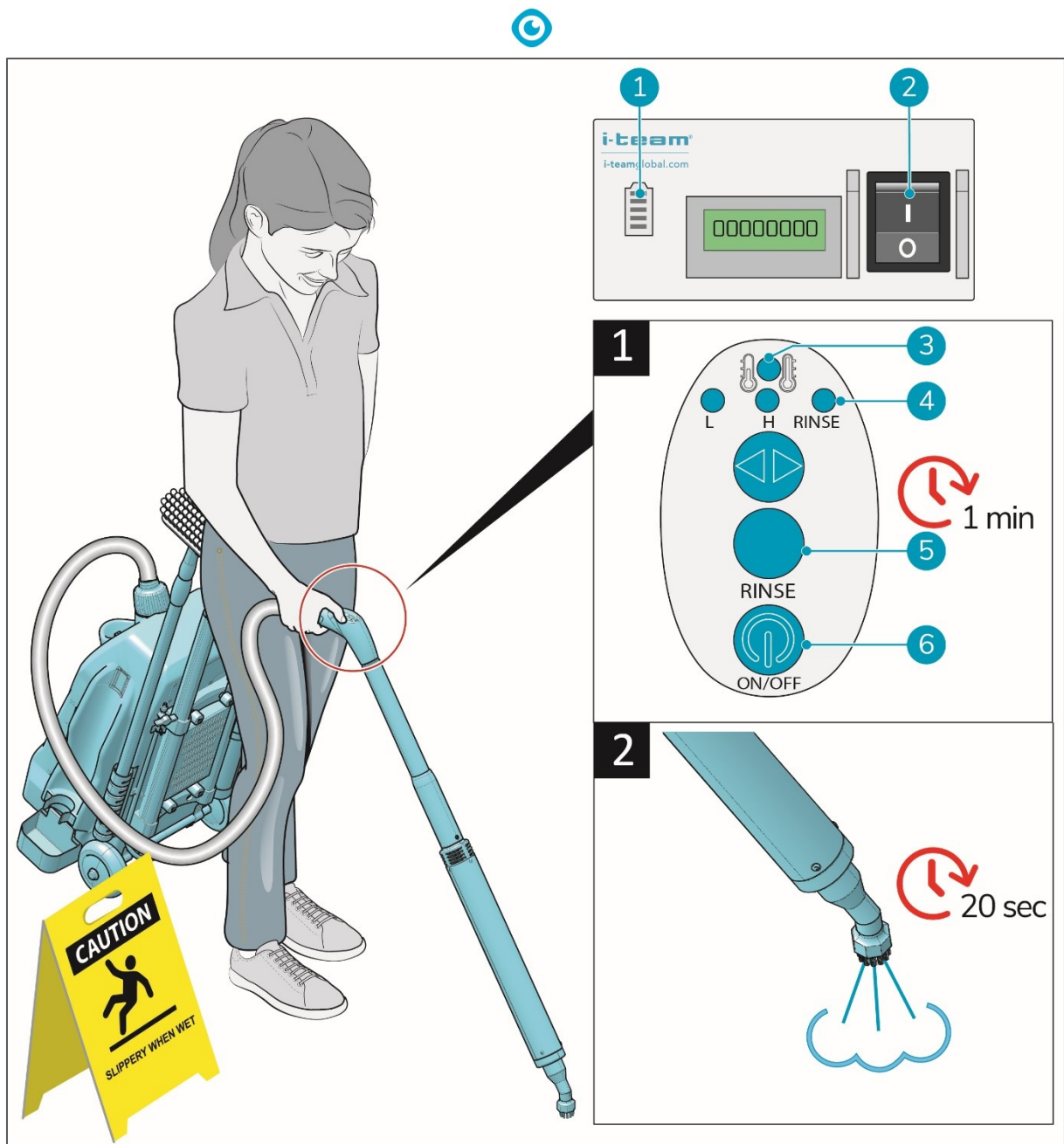


Figure 13

6.3 Trolley operation

Proceed to paragraph 6.4 Backpack operation when you are using the harness.

1. Walk to the job site with the i-gum® and a wet floor marker.
2. Mark the job site.
3. Turn on the i-gum® using the main power switch on the bottom (fig 14, pos 2) left of the body.
4. Check the power indicator (fig 14, pos 1).
5. Take the lance from the holder.
6. Press the ON/OFF button (fig 14, pos 6) on the handle control.
7. Press the RINSE button (fig 14, pos 5).
8. Hold for 5 seconds, this will start the pump.
9. Check the rinse indicator light (fig 14, pos 4).
10. Release the RINSE button (fig 14, pos 5) when rinse indicator light is on.



11. Wait for 20 seconds until steam comes out of the lance.
12. Check the heating indicator light (fig 14, pos 3).
13. Place the brush on the piece of flattened gum.
14. Agitate the brush in circular motion until the gum disintegrates.
15. **DO NOT** scrub or apply pressure, it is not required but can harm the surface.
16. Replace the lance in the holder and use the broom to sweep the disintegrated gum.
17. Repeat when required.

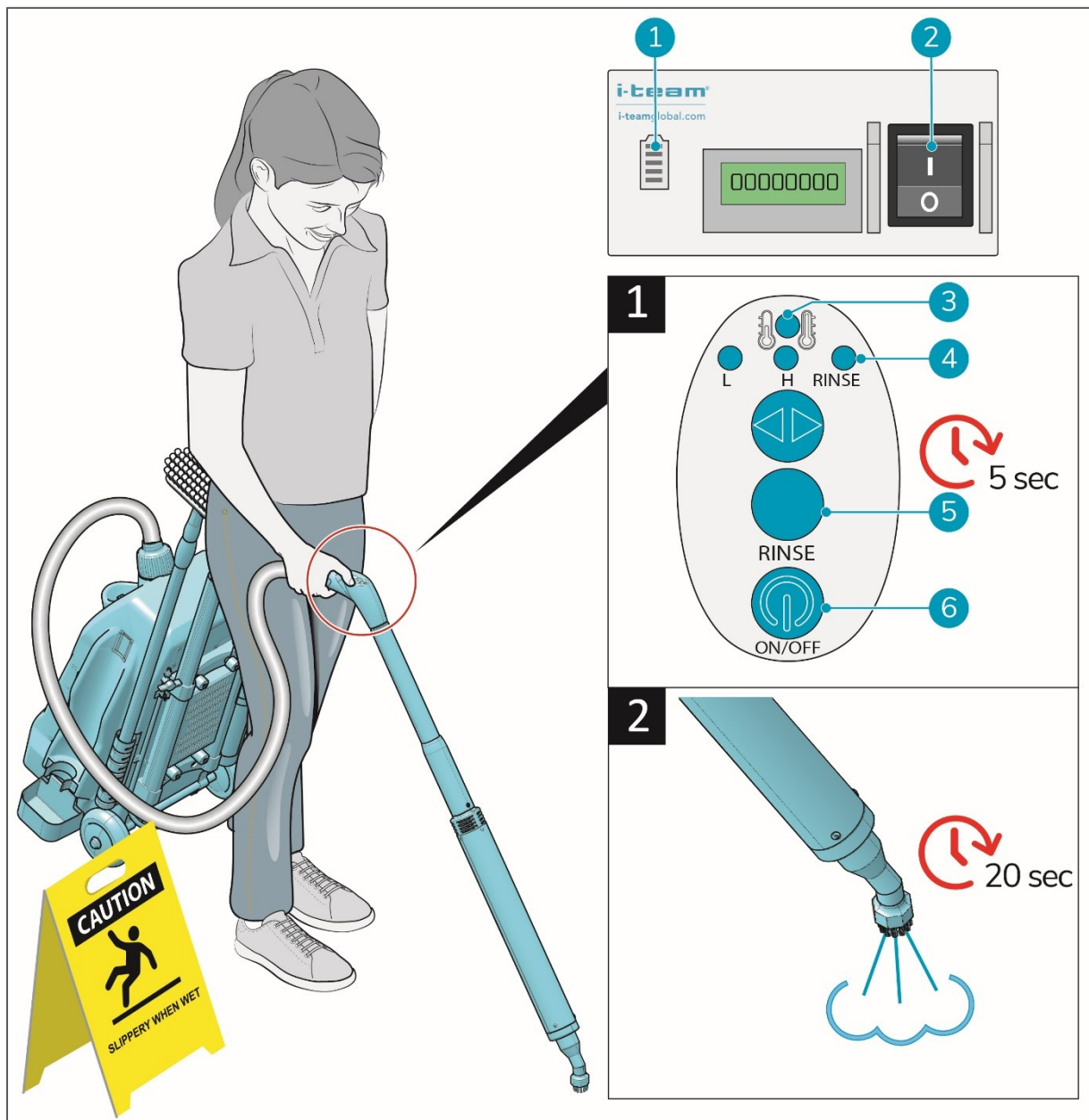


Figure 14



6.3.1 Adjust pump speed

The pump will default operate at low speed. You can change it to high speed for more steam via the Low/High selector.

1. Press pump Low/High selector button (fig 15, pos 2).
2. Check pump speed indicator (fig 15, pos 1).

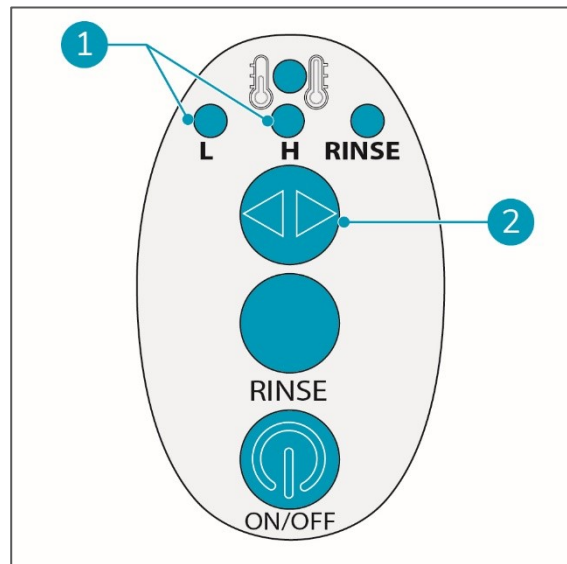


Figure 15

TIP:

Pump speed high only increases the amount of cleaning fluid, this can be effective for rough surfaces or carpet cleaning. On flat surfaces the additional fluid will run-off and have no effect.

6.3.2 After operation

1. Turn off the steam via the ON/OFF button (fig 16, pos 2).
2. Turn off the i-gum® via the main power switch (fig 16, pos 1).

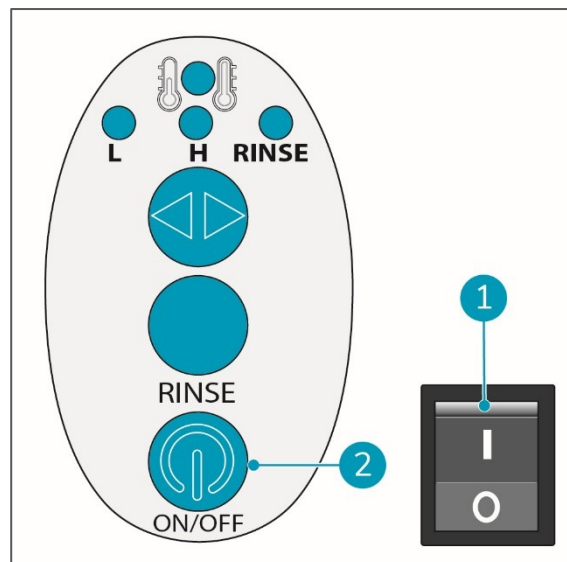


Figure 16



6.4 Backpack operation

1. Turn on the i-gum[®] using the main power switch on the bottom (fig 17, pos 2) left of the body.
2. Check the power indicator (fig 17, pos 1).

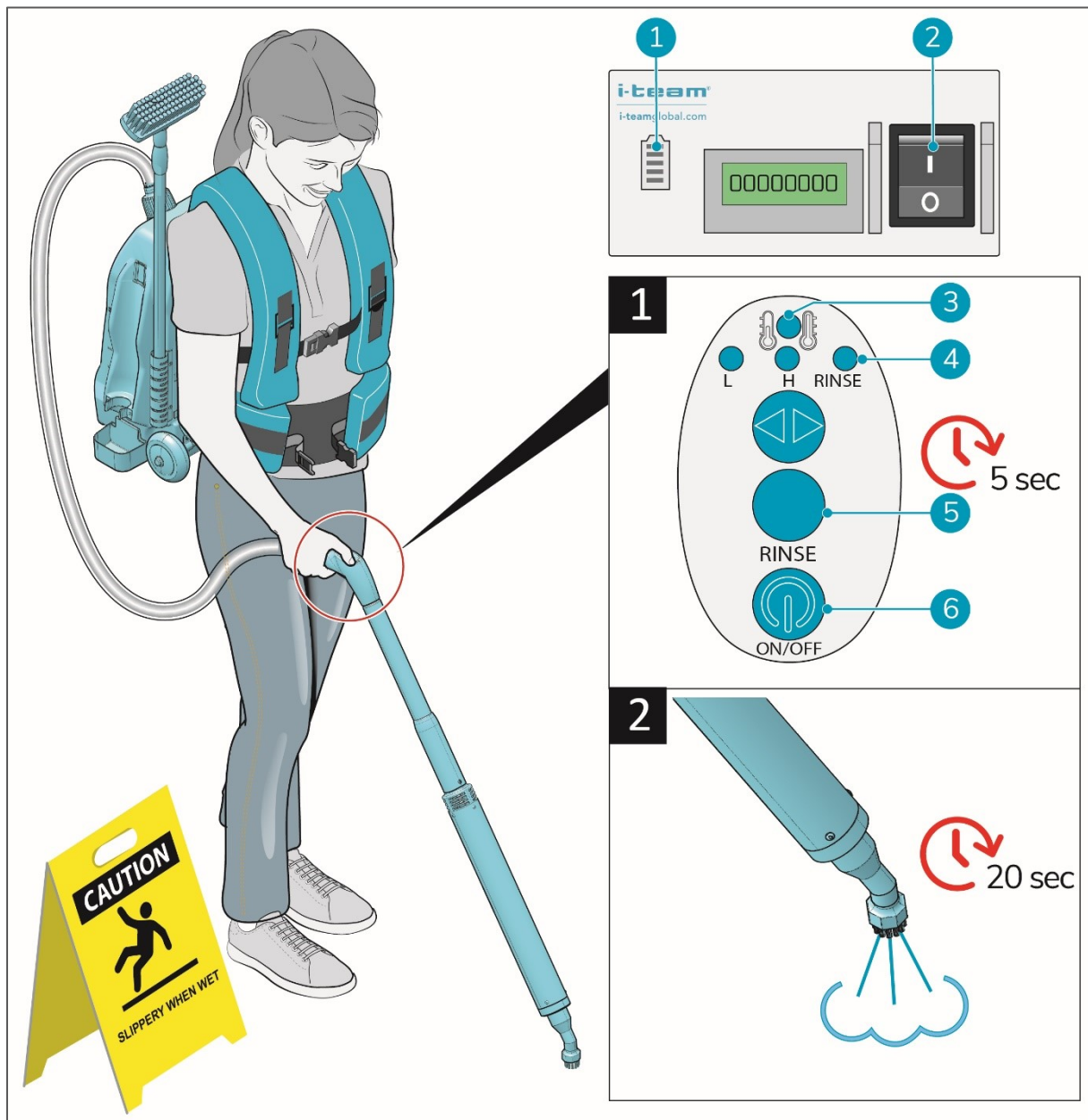


Figure 17

3. Release the straps (fig 18, pos 1) of the harness to their maximum size.
4. Remove the lance and broom from their holders and place on a chair or table.
5. Put on the backpack.
6. Adjust waistband (fig 18, pos 2) and straps (fig 18, pos 1) for comfort.
7. Walk to the job site with the i-gum[®] and a wet floor marker.
8. Mark the job site.
9. Press the ON/OFF button (fig 17, pos 6) on the handle control.
10. Press the RINSE button (fig 17, pos 5).
11. Hold for 5 seconds, this will start the pump.
12. Check the rinse indicator light (fig 17, pos 4).



13. Release the RINSE button (fig 17, pos 5) when rinse indicator light is on.
14. Wait for 20 seconds until steam comes out of the lance.
15. Check the heating indicator light (fig 17, pos 3).
16. Place the brush on the piece of flattened gum.
17. Agitate the brush in circular motion until the gum disintegrates.
18. **DO NOT** scrub or apply pressure, it is not required but can harm the surface.
19. Replace the lance in the holder and use the broom to sweep the disintegrated gum.
20. Repeat when required.

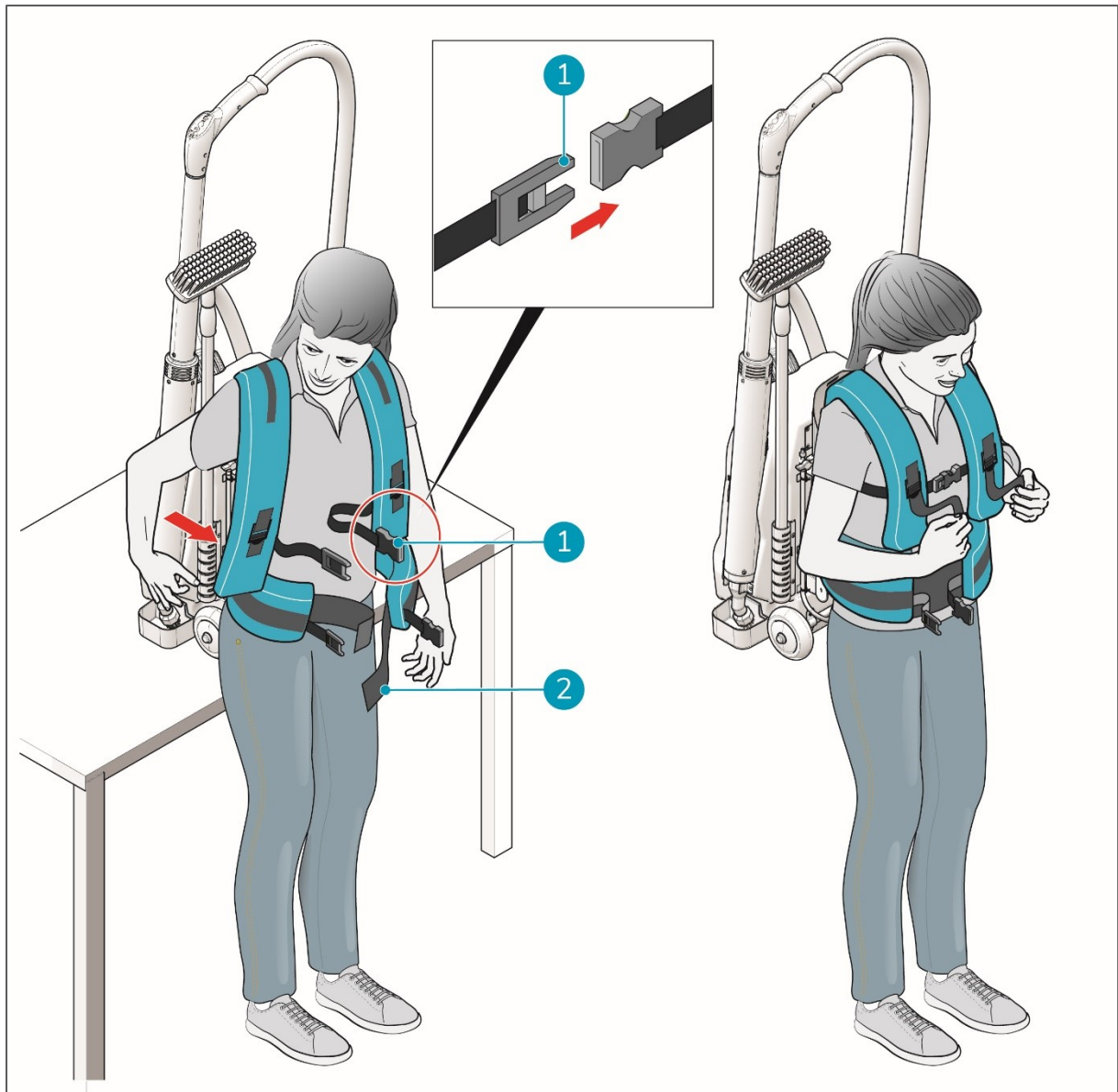


Figure 18



6.4.1 Adjust pump speed

See paragraph 6.3.1.

6.4.2 After operation

1. Turn off the steam via the ON/OFF button (fig 19, pos 1).
2. Remove the backpack and close the strap (fig 19, pos 2) to hold the waistband together.
3. Turn off the i-gum® via the main power switch (fig 19, pos 3).

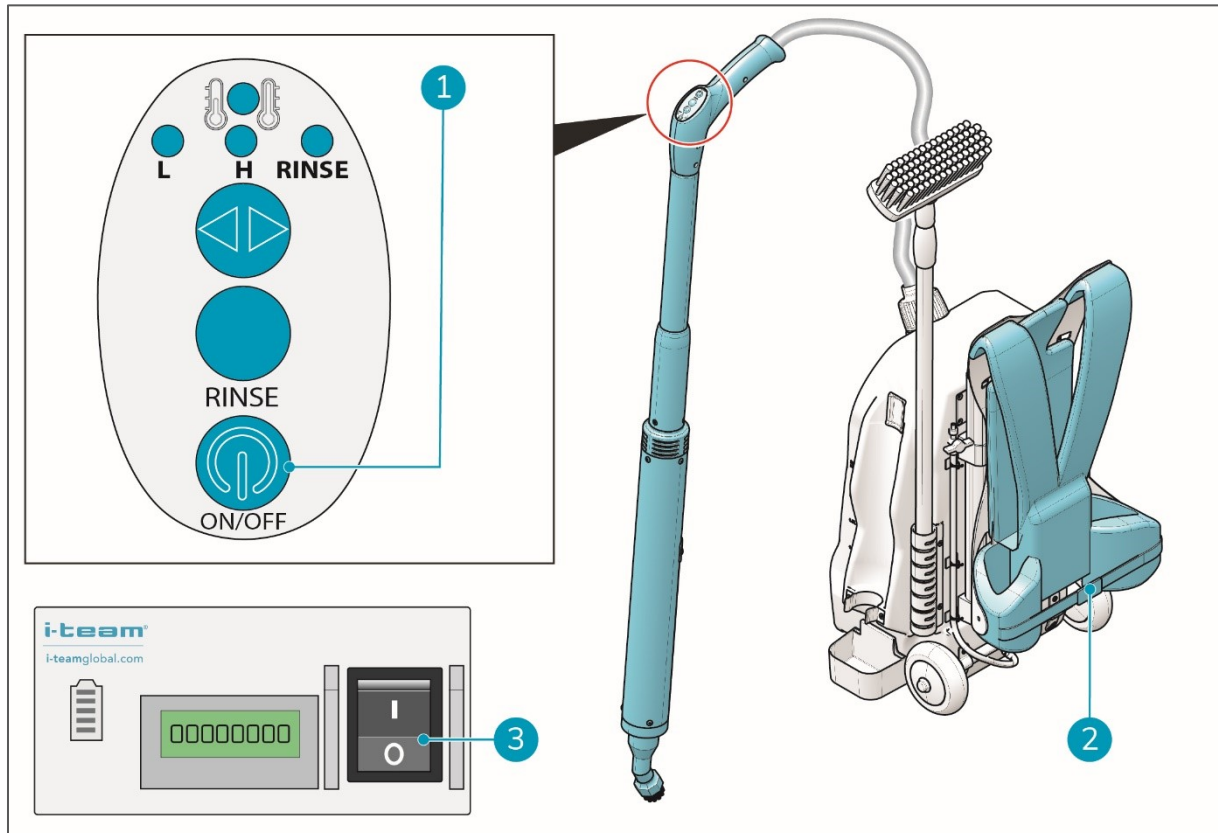


Figure 19



6.5 Cleaning and storage

The i-gum[®] does not require much maintenance however it is recommended to drain and rinse the machine after use before putting in storage.

6.5.1 Drain the machine

1. Put the i-gum[®] on a table with the backside towards you.
2. Release the drainage tube (fig 20, pos 2) via the clips (fig 20, pos 1).
3. Put the end of the drainage tube in an empty gum remover solution bottle.
4. Remove the yellow stopper from the fluid tank (fig 12, pos 1).
5. Open tap (fig 20, pos 3).
6. When empty close tap (fig 20, pos 3).
7. Replace the yellow stopper (fig 12, pos 1).
8. Replace drainage tube (fig 20, pos 2) using clips (fig 20, pos 1).

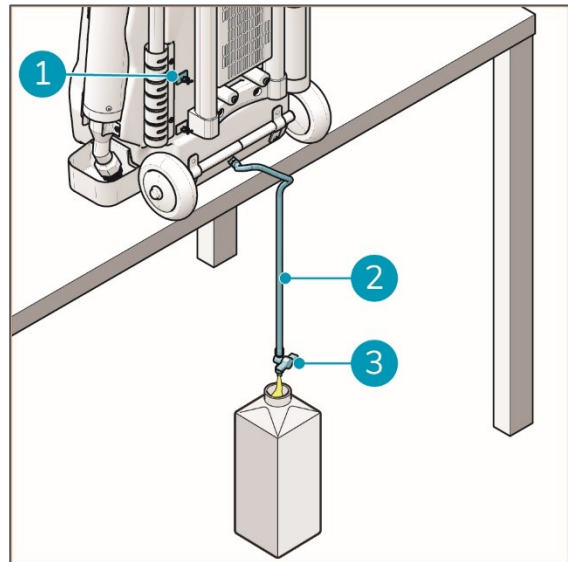


Figure 20



6.5.2 Rinse the machine

After draining the machine some fluid remains in the pipes and pump. This is no problem for daily use. However, when the i-gum[®] is put in storage for more than 5 days it is recommended to rinse the machine to remove the remaining fluid.

1. Make sure you have drained the machine (see 6.5.1).
2. Attach the drip tray (fig 21, pos 2) to the machine.
3. Put the lance (fig 21, pos 1) in the holder.
4. Turn on the i-gum[®] via the main power switch.
5. Press the ON/OFF button (fig 22, pos 2) on the handle control.
6. Press the RINSE button (fig 22, pos 1).
7. Hold the RINSE button.
8. Wait until no more fluid comes from the lance.
9. Press the ON/OFF button (fig 22, pos 2) on the handle control.
10. Turn off the main power switch.
11. Remove the drip tray and clean.

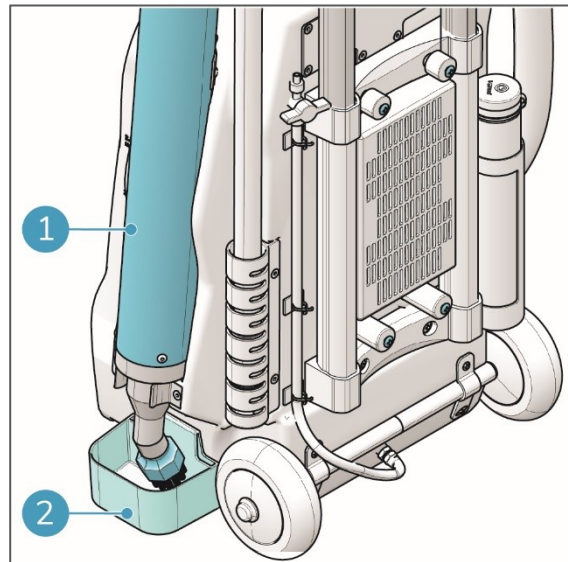


Figure 21

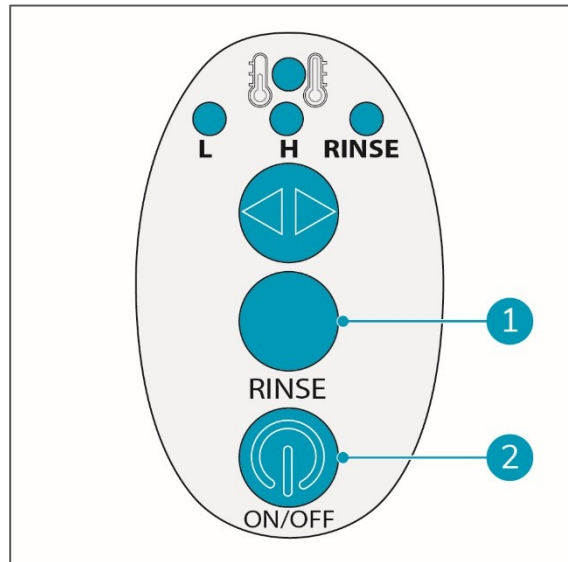


Figure 22

After the rinse operation the machine is completely dry. Next time you use the i-gum[®] please follow the Dry start procedure (see paragraph 6.2).



6.5.3 Remove the batteries

1. Open the battery holder (fig 23, pos 1) at the side of the i-gum®.
2. Remove the battery packs from the top and bottom battery slots (fig 23, pos 1).
3. Close the battery holder (fig 23, pos 1).
4. Place the batteries in the charger for next use.

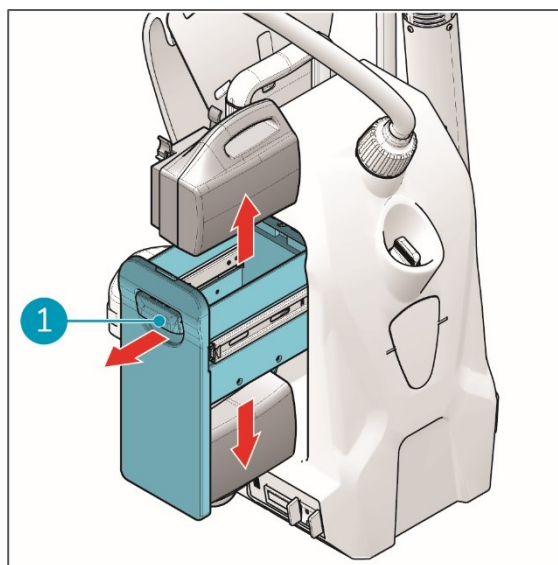


Figure 23

6.5.4 Storage

Store the i-gum® in an upright position.



7 Maintenance

7.1 Brush replacement

The brushes are attached to the lance via a bayonet fitting.



WARNING

The wires on the steel brush are sharp and bended after use, make sure you do not cut yourself and grab the brush by the top.

1. Make sure the i-gum® is turned off and completely cooled down.
2. Unscrew the old brush by a small turn clockwise (right) and pull.
3. Take a new brush (fig 24, pos 1) and press and turn counterclockwise (left) until in place.

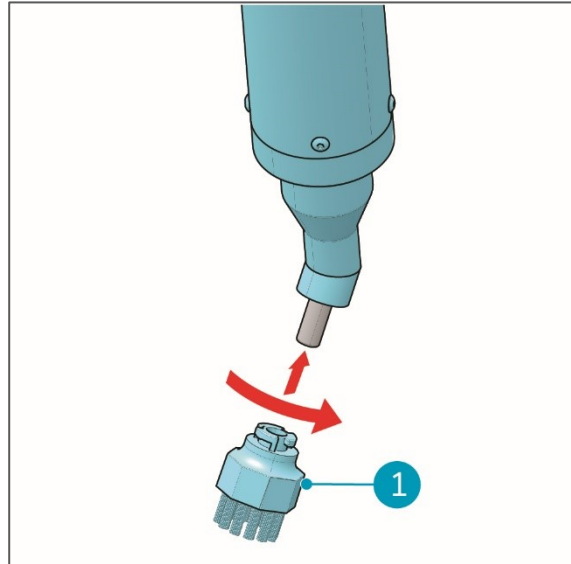


Figure 24

7.2 Recommended additional cleaning

It is recommended once per month to rinse the i-gum® with water.



7.2.1 Clean with water

1. Put the batteries in the machine (see 6.1.1).
2. Pour some water in the fluid tank (see 6.1.2).
3. Make sure the drip tray (fig 25, pos 2) is attached to the machine.
4. Make sure the steam lance (fig 25, pos 1) is in the holder.
5. Turn on the i-gum® using the main power switch.
6. Press the ON/OFF button (fig 26, pos 2) on the handle control.
7. Press the RINSE button (fig 26, pos 1).
8. Hold for 1-minute, this will start the pump.
9. Release the RINSE button (fig 26, pos 1).
10. Wait for 20 seconds until steam comes out of the lance.
11. Allow some steam to come out to clean the steam lance.
12. Turn off the machine via the ON/OFF button (fig 26, pos 2).
13. Turn off the main power switch.
14. Clean the drip tray (fig 25, pos 2).
15. Drain and rinse the machine (see 7.2.2 and 7.2.3).

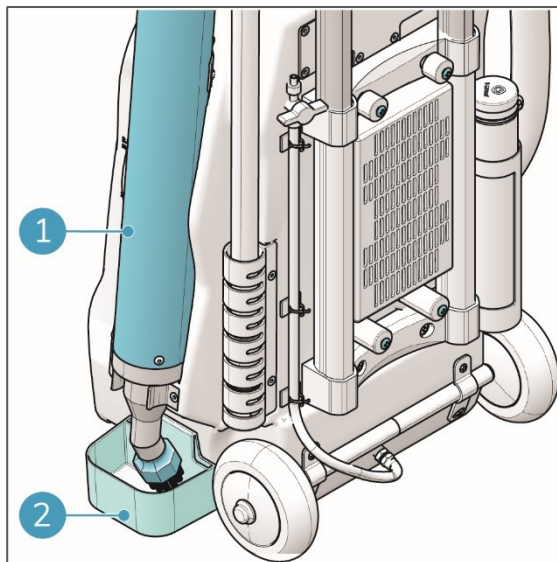


Figure 25

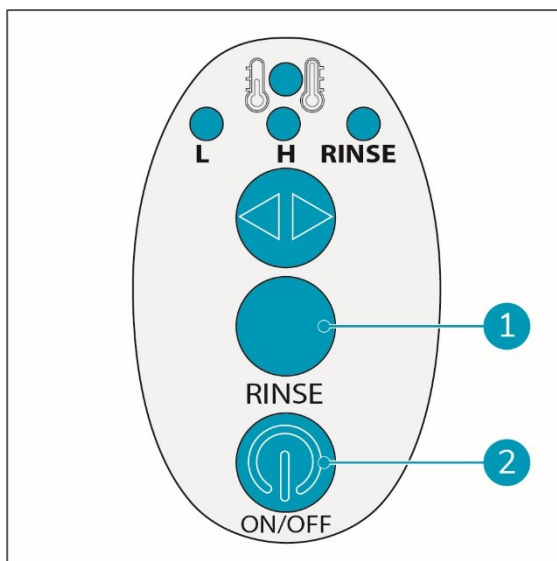


Figure 26



7.2.2 Drain the machine

1. Put the i-gum[®] on a table with the backside towards you.
2. Release the drainage tube (fig 27, pos 2) via the clips (fig 27, pos 1).
3. Put the end of the drainage tube in a bucket or empty bottle.
4. Remove the yellow stopper from the fluid tank (fig 12, pos 1).
5. Open tap (fig 27, pos 3).
6. When empty close tap (fig 27, pos 3).
7. Replace the yellow stopper (fig 12, pos 1).
8. Replace drainage tube (fig 27, pos 2) using clips (fig 27, pos 1).

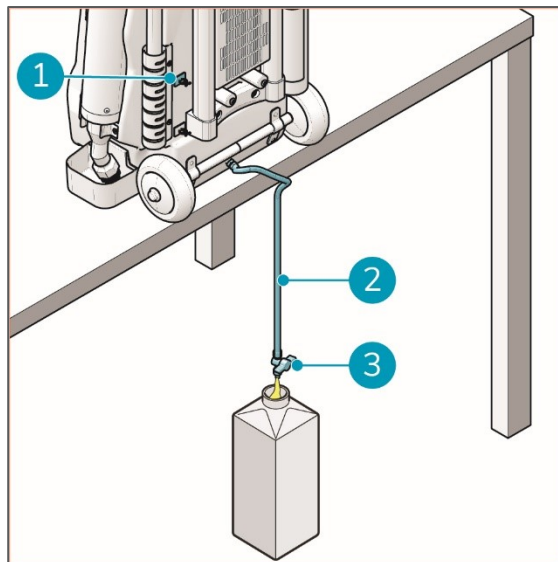


Figure 27



7.2.3 Rinse the machine

1. Make sure the drip tray (fig 28, pos 2) is attached to the machine.
2. Make sure the steam lance (fig 28, pos 1) is in the holder.
3. Turn on the i-gum® using the main power switch.
4. Press the ON/OFF button (fig 29, pos 2) on the handle control.
5. Press the RINSE button (fig 29, pos 1).
6. Hold for 1-minute, this will start the pump.
7. Release the RINSE button (fig 29, pos 1).
8. Wait for until no more steam comes out of the lance.
9. Turn off the machine via the ON/OFF button (fig 29, pos 2).
10. Turn off the main power switch.
11. Clean the drip tray (fig 28, pos 2).

After the rinse operation the machine is completely dry. Next time you use the i-gum® please follow the Dry start procedure (see paragraph 6.2).

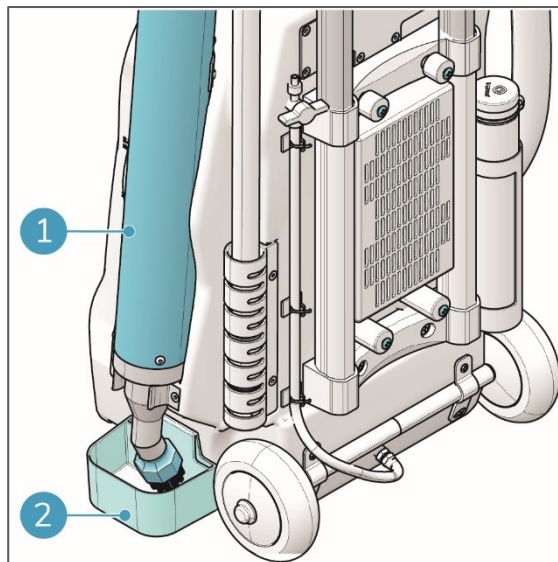


Figure 28

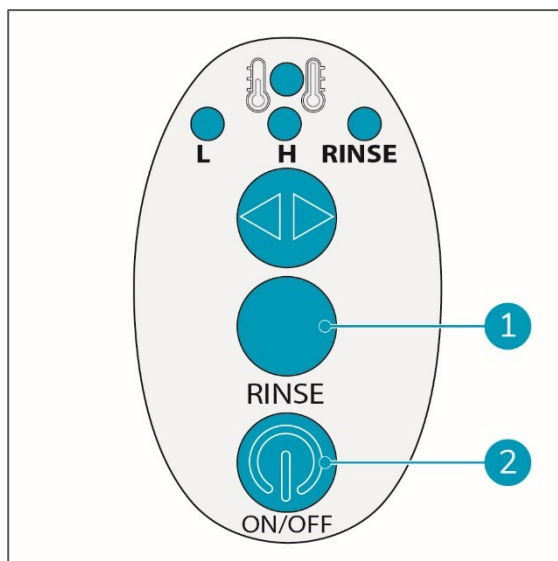


Figure 29

7.3 Recommended service time

When you do not have a service agreement check the timer on the bottom left side of the machine on a regular basis. It is recommended to schedule a full service by one of our service partners every 60.000 minutes.

Check the timer on a regular basis.



8 Trouble shooting

Problem	Cause	Solution
No power	No batteries	Insert batteries.
	Empty batteries	Charge batteries.
	Main power switch off	Turn on power switch.
No steam	Empty tank	Fill the tank.
	Empty batteries	Charge batteries.
	Pump is not running	Pump needs to be replaced by a skilled mechanic.
	Steam is blocked	Turn off the machine, check and clean the brush and steam nozzle.
Water level LED light flashes	Gum remover solution is low	Turn-off and cool-down the machine. Fill the tank with gum remover solution.
Fluid leak from tank	Yellow stopper is not put back correctly	Check and place the yellow stopper correctly.
	Machine was stored or transported lying down without draining the tank first	Place the machine upright.
Battery not charging	Battery is end of life	Replace battery.



9 Decommissioning and disposal



ATTENTION

It is the responsibility of the i-gum[®] owner to dispose of the product responsibly.

At the end-of-life the i-gum[®] still contains valuable resources and needs to be disposed of according to your local laws and regulations regarding recycling of electrical equipment.



Before disposal please:

1. Drain the machine (see 6.5.1).
2. Remove the batteries for separate disposal (see 6.5.3).

TIP:

Alternatively, keep the batteries for use in another piece of i-team equipment like the i-mop[®].

3. Remove all loose components like brush holder and broom.
4. Dispose all items according to your local laws and regulations.



10 Attachments

10.1 CE Certificate



EC Declaration of Conformity

In accordance with BS EN ISO/IEC 17050-1:2010

We **Future Cleaning Technologies B.V., Hoppenkuil 27b, 5626 DD Eindhoven**

Declare under our sole responsibility that the product: **I-GUM**

Equipment: Portable Battery or LPG fuelled chewing gum removal system
Model name/number: i-gum

In accordance with the following Directives:

2004/108/EC	Conforms with the essential performance requirements of the Electromagnetic Compatibility Directive and its amending directives
2006/42/EC	Conforms with the essential health and safety requirements of the Machinery Directive and its amending directives
2011/65/EU	Conforms with the requirements of the RoHS Directive on the restriction of the use of certain hazardous substances in electrical and electronic equipment

Has been designed and manufactured to the following specifications:

EN ISO 12100:2010
Safety of machinery. General principles for design. Risk assessment and risk reduction

EN 60335-1:2012
Household and similar electrical appliances – Safety – Part 1: General requirements

EN 60335-2-79:2009
Household and similar electrical appliances – Safety – Part 2-79: Particular requirements for high pressure cleaners and steam cleaners.

EN 55014-1:2006+A2:2011
Electromagnetic compatibility. Requirements for household appliances, electric tools and similar apparatus. Emission

EN 55014-2:1997+A2:2008
Electromagnetic compatibility. Requirements for household appliances, electric tools and similar apparatus. Immunity. Product family standard.

EN 61000-3-2:2006
Electromagnetic compatibility (EMC) – Part 3-2: Limits – Limits for harmonic current emissions (equipment input current ≤ 16 A per phase)

EN 6100-3-3:2008
Electromagnetic compatibility (EMC) – Part 3-3: Limits – Limitation of voltage changes, voltage fluctuations and flicker in public low-voltage supply systems, for equipment with rated current ≤ 16 A per phase and not subject to conditional connection

I hereby declare that the equipment named above has been tested and found to comply with the relevant sections of the above referenced specifications. The unit complies with all essential requirements of the Directives.

Signed by:

Name: Frank van de Ven

Position: Director

Done at: Eindhoven

On: 29 August 2017

This declaration of conformity is issued under the responsibility of Future Cleaning Technologies B.V.



10.2 Safety data sheet gum remover solution

Information on the i-GUM chewing gum remover solution can be found on the **SAFETY DATA SHEET i-GUM**, SDS number 23393 - revision date 01/05/2015. This safety data sheet conforms to Regulation (EC) No. 1272/2008 on Classification, Labelling and Packaging of Substances and Mixtures.

This document is part of the technical file of the i-gum® chewing gum remover and will be available upon request.